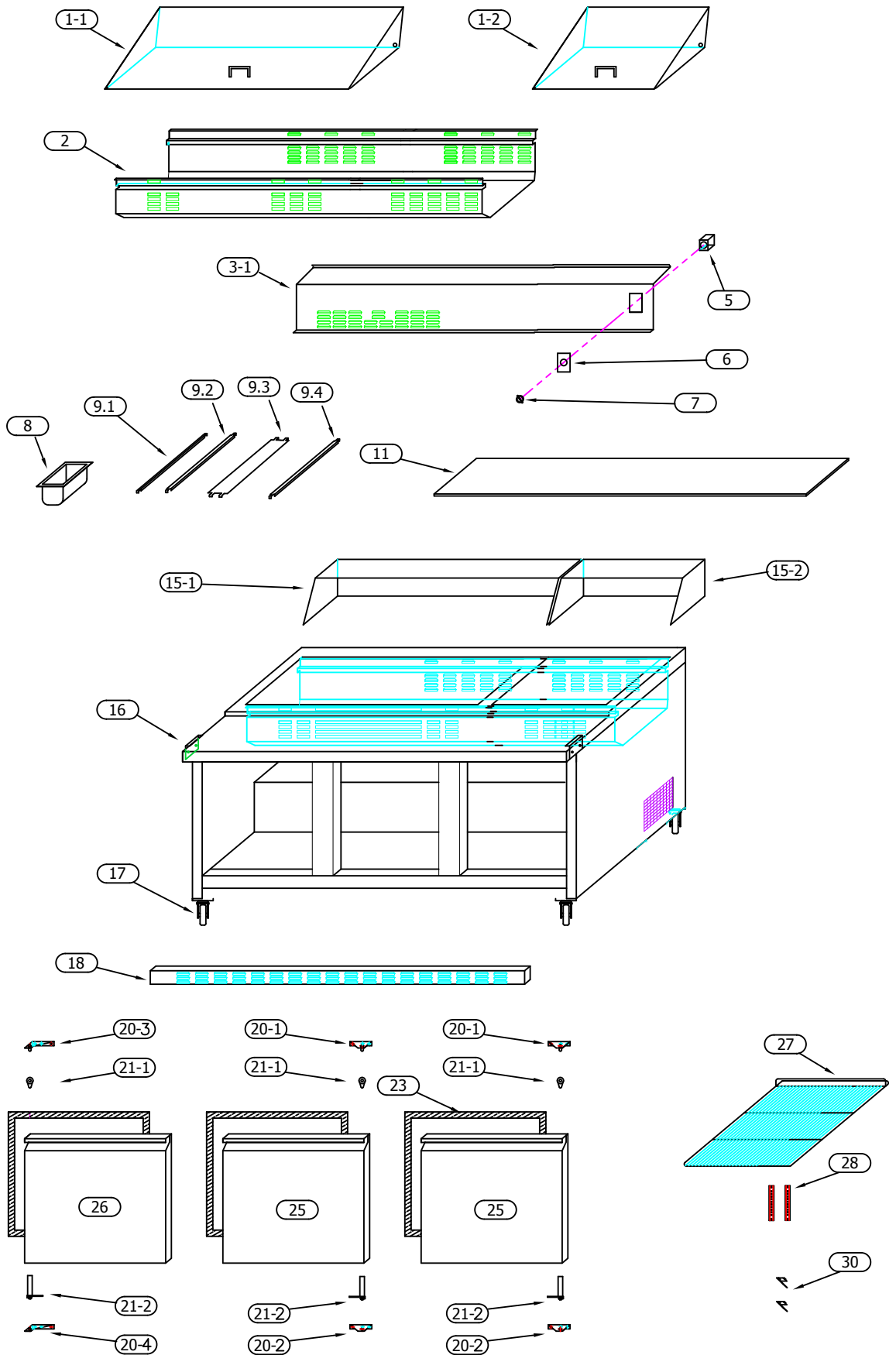


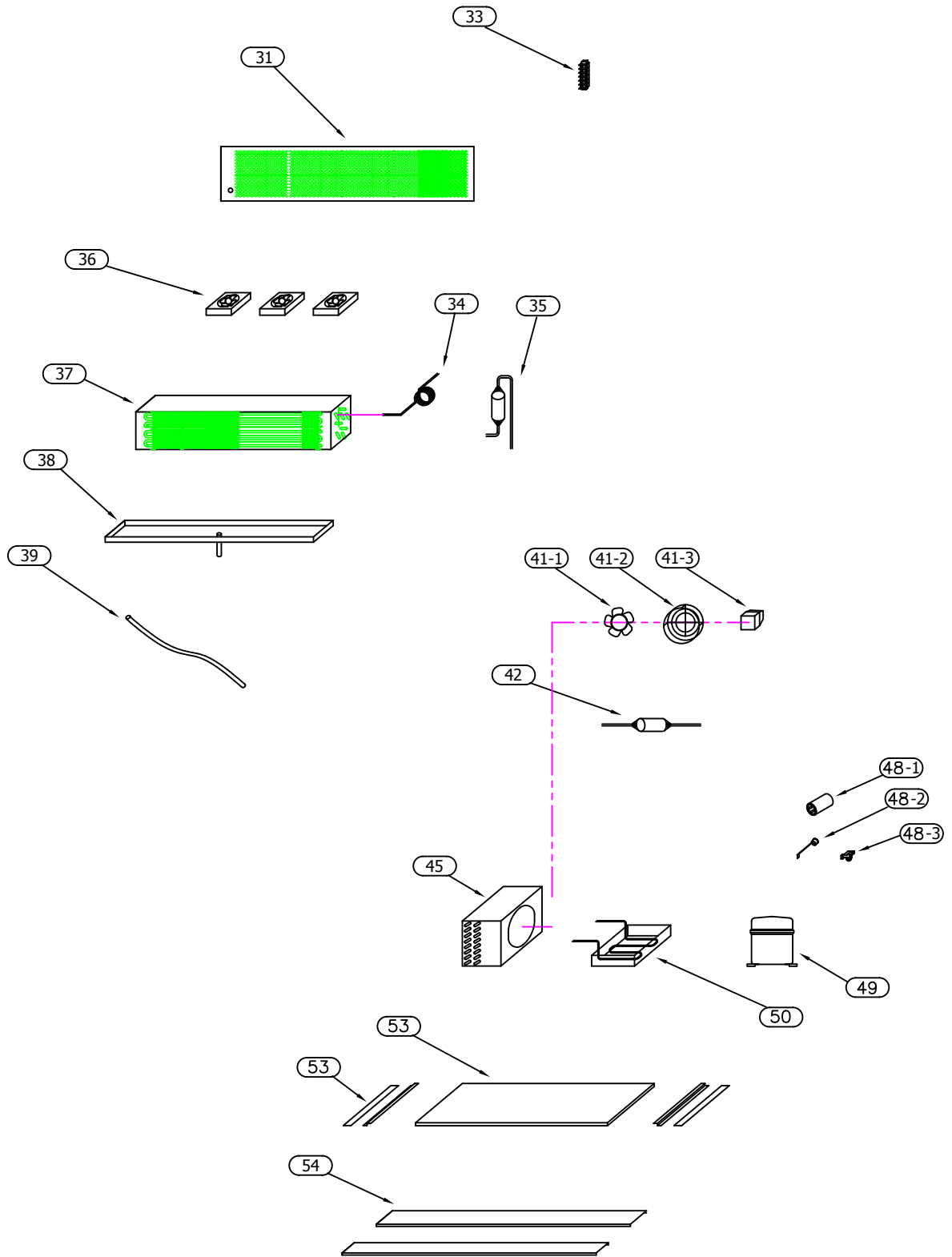
CABINET ASSEMBLY

MODEL: JSP-7218



CABINET ASSEMBLY

MODEL: JSP-7218



CABINET ASSEMBLY LIST

MODEL: JSP-7218

09/08

No.	Q'ty	Part No. (Use when ordering)		Description	List Price
1-1	1	465	4129	Top panel for JSP-4812, JSP-7218, 46" wide (condiment lid)	\$500.00
1-2	1	465	4128	Top panel for JSP-2708, JSP-7218, 22.5" wide (condiment lid)	\$300.00
2	1	465	5701	Panel, food catch, below pans, JSP-7218	\$300.00
3	1	465	1509	Coil cover, Ascend 72" prep units, inside back panel	\$300.00
5	1	465	7201	Temperature controller, t-stat, Ranco	\$90.00
6	1	465	7402	Temperature control (t-stat) metal cover	\$15.00
7	1	465	7401	Temperature control (t-stat) knob	\$10.00
8	18	465	5801	Food pan, polycarbonate, 1/6 size, 4" deep, clear	\$15.00
9.1	1	465	5816	Pan divider, 1.5" wide, left edge only, JSP-7218, each	\$8.00
9.2	7	465	5812	Pan divider, 1" wide, middle, JSP units, each	\$8.00
9.3	1	465	5811	Pan divider, .5" wide, fits on edges only, JSP units, each	\$8.00
9.4	1	465	5814	Pan divider, 5" wide, fits middle section, JSP units, each	\$12.00
11	1	465	4023	Cutting board, 1/2" x 12" x 72"	\$150.00
15-1	1	465	4520	Hood, JSP-4812, JSP-7218, 46" wide	\$400.00
15-2	1	465	4519	Hood, JSP-2708, JSP-7218 unit, 22.5" wide	\$200.00
16	2	465	4015	Bracket, holds cutting board, all preps	\$7.00
17	2	465	4801	Caster, 5", stem, no lock	\$25.00
17	2	465	4802	Caster, 5", stem, with lock	\$30.00
18	1	465	4505	Front bottom vent grill, 72"	\$250.00
20-1	2	465	4301	Hinge, prep & u/c, top right hinge, Ascend units	\$20.00
20-2	2	465	4303	Hinge, prep & u/c, bottom right hinge, Ascend units	\$20.00
20-3	1	465	4304	Hinge, prep & u/c, top left hinge, Ascend units	\$20.00
20-4	1	465	4306	Hinge, prep & u/c, bottom left hinge, Ascend units	\$20.00
21-1	3	465	4121	Plastic / nylon circular bushing insert, top of door	\$5.00
21-2	3	465	4400	Tensioner, bottom of door, prep & u/c	\$38.00
23	3	465	4200	Door gasket, Ascend 48 and 72" prep & u/c	\$60.00
25	2	465	4113	Door, 48 and 72" wide models, right hinge	\$200.00
26	1	465	4114	Door, 48 and 72" wide models, left hinge	\$200.00
27	3	465	5211	Vinyl coated wire shelf, Ascend 48 & 72" prep & u/c, 21.25" x 17.25"	\$60.00
27	1	465	5210	Epoxy coated wire shelf, middle, Ascend 72" prep, 22.75 x 17.25"	\$60.00
28	6	465	5104	Pilaster, Ascend prep & u/c	\$15.00
30	12	465	5303	Shelf clip (each)	\$5.00
31	1	465	4514	Bottom back mesh cover, Ascend 72" prep & u/c	\$175.00
33	1	465	6302	Power supply terminal block, 600V, 30A, 4 circuit	\$30.00
34	1	465	3521	Cap tube. 0.052 ID, 55 in.	\$18.00
35	1	465	1701	Accumulator, copper, evap coil	\$25.00
36	3	465	1204	Evaporator fan motor w/blade, 115V	\$142.00
36		465	1210	Evaporator fan motor w/blade, NMB 120V/1PH/14W	\$142.00
37	1	465	1114	Evaporator coil, Ascend 60 & 72" prep & u/c, 5d x 36.25w (4/5)	\$400.00
38	1	465	1601	Drain pan, evaporator, Ascend 60 & 72" prep & u/c	\$100.00

CABINET ASSEMBLY LIST

MODEL: JSP-7218

09/08

No.	Q'ty	Part No. (Use when ordering)		Description	List Price
39	1	465	2501	Evaporator drain pan tube, flexible plastic	\$15.00
41-1	1	465	2401	Condenser fan blade, 5B, 7.75" diameter	\$20.00
41-2	1	465	2302	Condenser fan blade cover / guard, 9" dia.	\$20.00
41-3	1	465	2207	Condenser fan motor, 115V	\$90.00
42	1	465	3601	Filter drier, copper spun	\$20.00
45	1	465	2109	Condenser coil, Ascend 60 & 72" prep & u/c, 9x5.5x8 (8x6)	\$300.00
48-1	1	906	3305	189-227UF (6213)	\$40.00
48-2	1	906	3205	Relay for Aspera T6213Z	\$30.00
48-3	1	906	3405	Overload for T6213Z, 1/2 HP	\$40.00
49	1	906	3105	Compressor Aspera, 1/2 HP R-134a 115V	\$400.00
50				Condensate pan, w/ hot gas loop, Ascend 72" prep units	
53	2	465	4320	Deck, system rail, left or right	\$15.00
54	1	465	4322	Deck, system, Ascend 60 & 72" prep & u/c	\$100.00
55	2	465	4316	Cabinet support, Ascend 72" prep & u/c	\$100.00