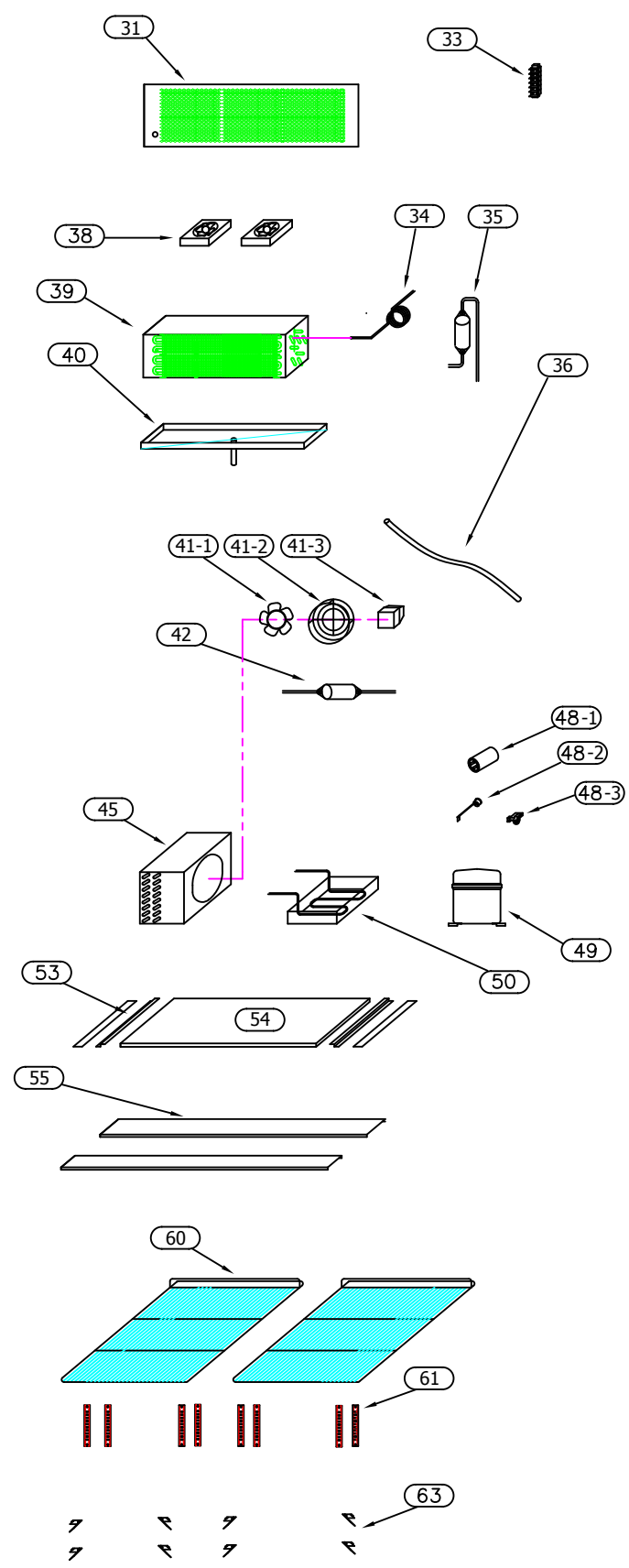
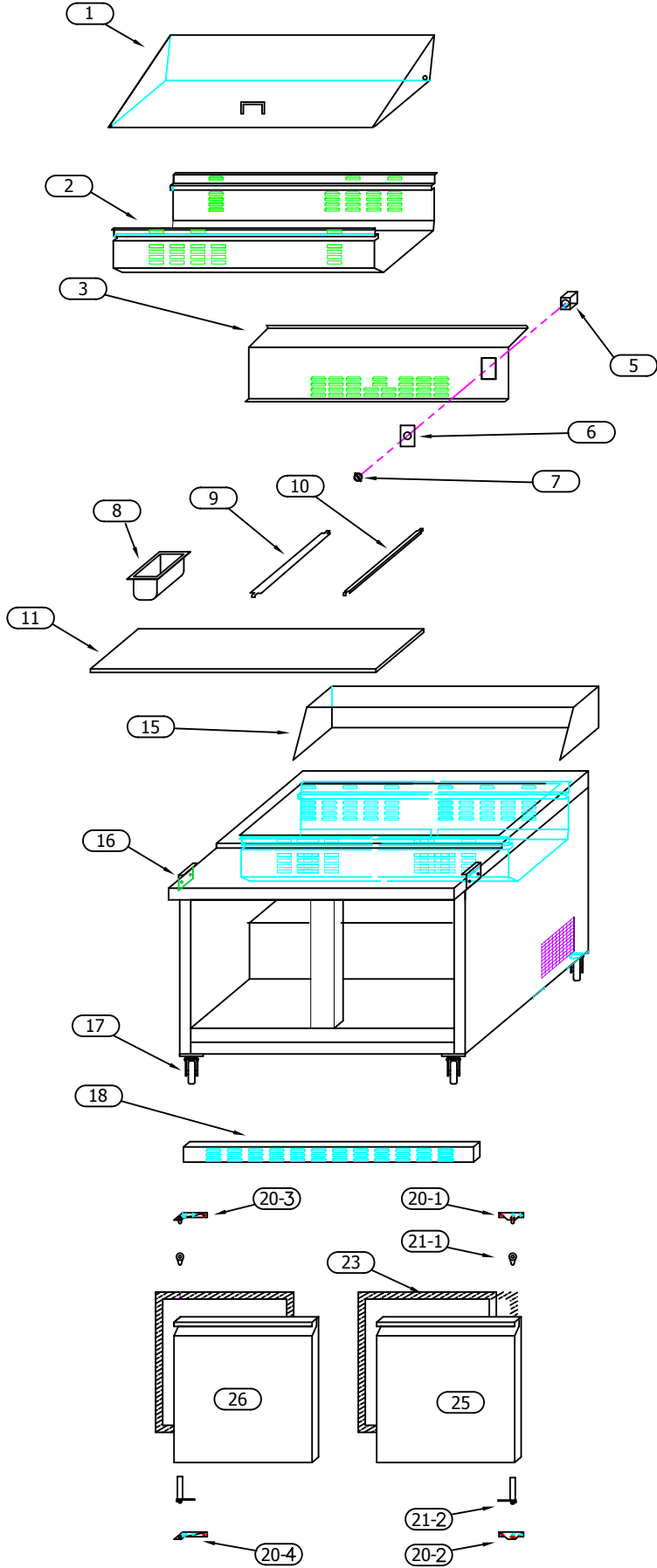


# CABINET ASSEMBLY

MODEL: JSP-4812



**CABINET ASSEMBLY LIST**

**MODEL: JSP-4812**

**09/08**

No.	Q'ty	Part No. (Use when ordering)		Description	List Price
1	1	461	4129	Top panel, JSP-4812, JSP-7218, 46" wide (condiment lid)	\$500.00
2	1	461	5701	Panel, food catch, below pans, JSP-4812	\$200.00
3	1	461	1509	Coil cover, Ascend 48" prep units, inside back panel	\$200.00
5	1	461	7201	Temperature controller, t-stat, Ranco	\$90.00
6	1	461	7402	Temperature control (t-stat) metal cover	\$15.00
7	1	461	7401	Temperature control (t-stat) knob	\$10.00
8	12	461	5801	Food pan, polycarbonate, 1/6 size, 4" deep, clear	\$15.00
9	2	461	5813	Pan divider, 3" wide, fits edges, JSP units, each	\$12.00
10	5	461	5812	Pan divider, 1" wide, middle, JSP units, each	\$8.00
11	1	461	4021	Cutting board, 1/2" x 12" x 47.75"	\$100.00
15	1	461	4520	Hood, JSP-4812, JSP-7218, 46" wide	\$400.00
16	2	461	4015	Bracket, holds cutting board, all preps	\$7.00
17	2	461	4801	Caster, 5", stem, no lock	\$25.00
17	2	461	4802	Caster, 5", stem, with lock	\$30.00
18	1	461	4505	Front bottom vent grill, 48"	\$150.00
20-1	1	461	4301	Hinge, prep & u/c, top right hinge, Ascend units	\$20.00
20-2	1	461	4303	Hinge, prep & u/c, bottom right hinge, Ascend units	\$20.00
21-1	2	461	4121	Plastic / nylon circular bushing insert, top of door	\$5.00
20-3	1	461	4304	Hinge, prep & u/c, top left hinge, Ascend units	\$20.00
20-4	1	461	4306	Hinge, prep & u/c, bottom left hinge, Ascend units	\$20.00
21-2	2	461	4400	Tensioner, bottom of door, prep & u/c	\$38.00
23	2	461	4200	Door gasket, Ascend 48" & 72" preps & u/c	\$60.00
25	1	461	4113	Door, 48 and 72" wide models, right hinge	\$200.00
26	1	461	4114	Door, 48 and 72" wide models, left hinge	\$200.00
31	1	461	4514	Bottom back mesh cover, Ascend 48" preps & u/c	\$125.00
33	1	461	6302	Power supply terminal block, 600V, 30A, 4 circuit	\$30.00
34	1	461	3518	Cap tube. 0.052 ID, 48 in.	\$18.00
35	1	461	1701	Accumulator, copper, evap coil	\$25.00
36	1	461	2501	Evaporator drain pan tube, flexible plastic	\$15.00
38	2	461	1204	Evaporator fan motor w/blade, 115V	\$142.00
38		461	1210	Evaporator fan motor w/blade, NMB 120V/1PH/14W	\$142.00
39	1	461	1113	Evaporator coil, Ascend 48" prep & u/c, 5d x 25w (4/5)	\$300.00
40	1	461	1601	Drain pan, evaporator, Ascend 48" prep & u/c	\$60.00
41-1	1	461	2401	Condenser fan blade, 5B, 7.75" diameter	\$20.00
41-2	1	461	2302	Condenser fan blade cover / guard, 9" dia.	\$20.00
41-3	1	461	2207	Condenser fan motor, 115V	\$90.00
42	1	461	3601	Filter drier, copper spun	\$20.00
45	1	461	2108	Condenser coil, Ascend 48" prep & u/c, 9x2.75x8 (6x3)	\$250.00
48-1	1	905	3303	Capacitor for AEA4440YXA (start)	\$40.00
48-2	1	905	3203	Relay for AEA4440YXA, 1/3 HP	\$30.00
48-3	1	905	3403	Overload for AEA-4440YXA, 1/3 HP	\$40.00

**CABINET ASSEMBLY LIST****MODEL: JSP-4812****09/08**

<b>No.</b>	<b>Q'ty</b>	<b>Part No. (Use when ordering)</b>		<b>Description</b>	<b>List Price</b>
49	1	905	3103	Compressor Tecumseh, 1/3 HP R-134a	\$300.00
50				Condensate pan, w/ hot gas loop, Ascend 48" prep units	
53	2	461	4320	System deck rail, left or right, Ascend prep & u/c	\$15.00
54	1	461	4322	Deck, system, Ascend 48" prep & u/c	\$40.00
55	2	461	4316	Cabinet support, Ascend 48" prep & u/c	\$60.00
60	2	461	5211	Vinyl coated wire shelf, Ascend 48 & 72" prep & u/c, 21.25" x 17.25"	\$60.00
61	8	461	5104	Pilaster, Ascend prep & u/c	\$15.00
62	8	461	5303	Shelf clip (each)	\$5.00