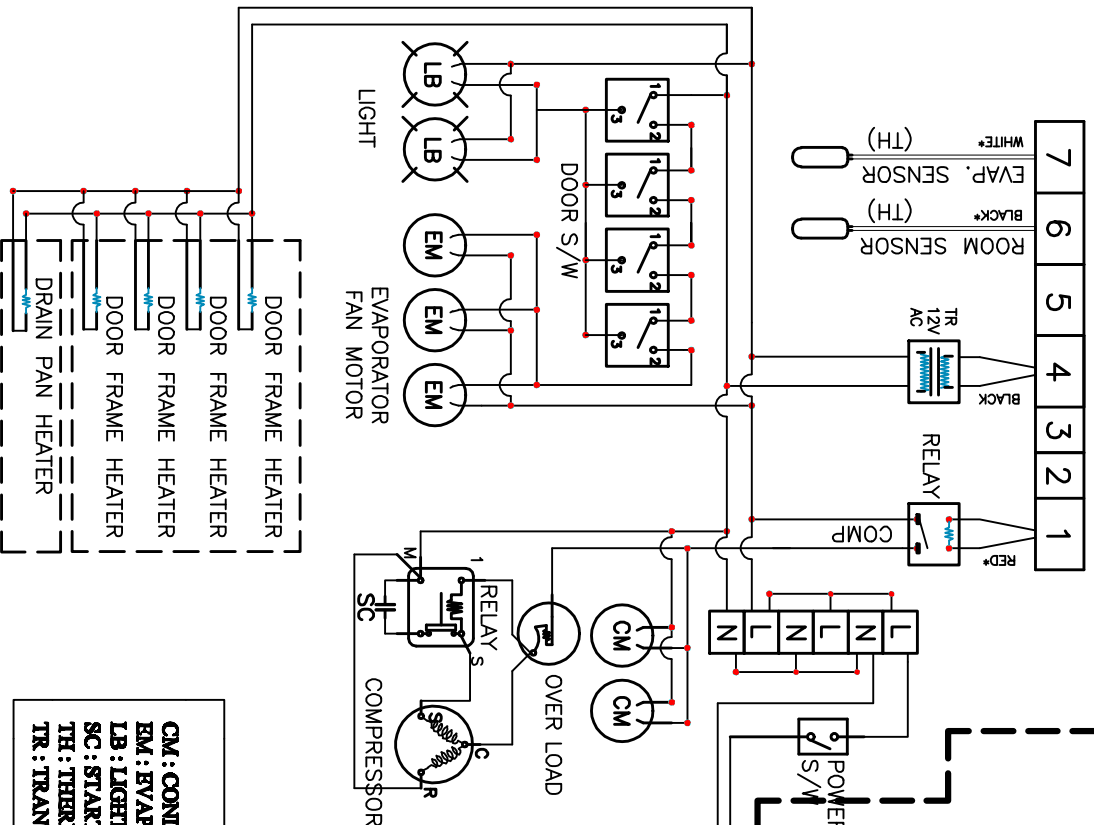


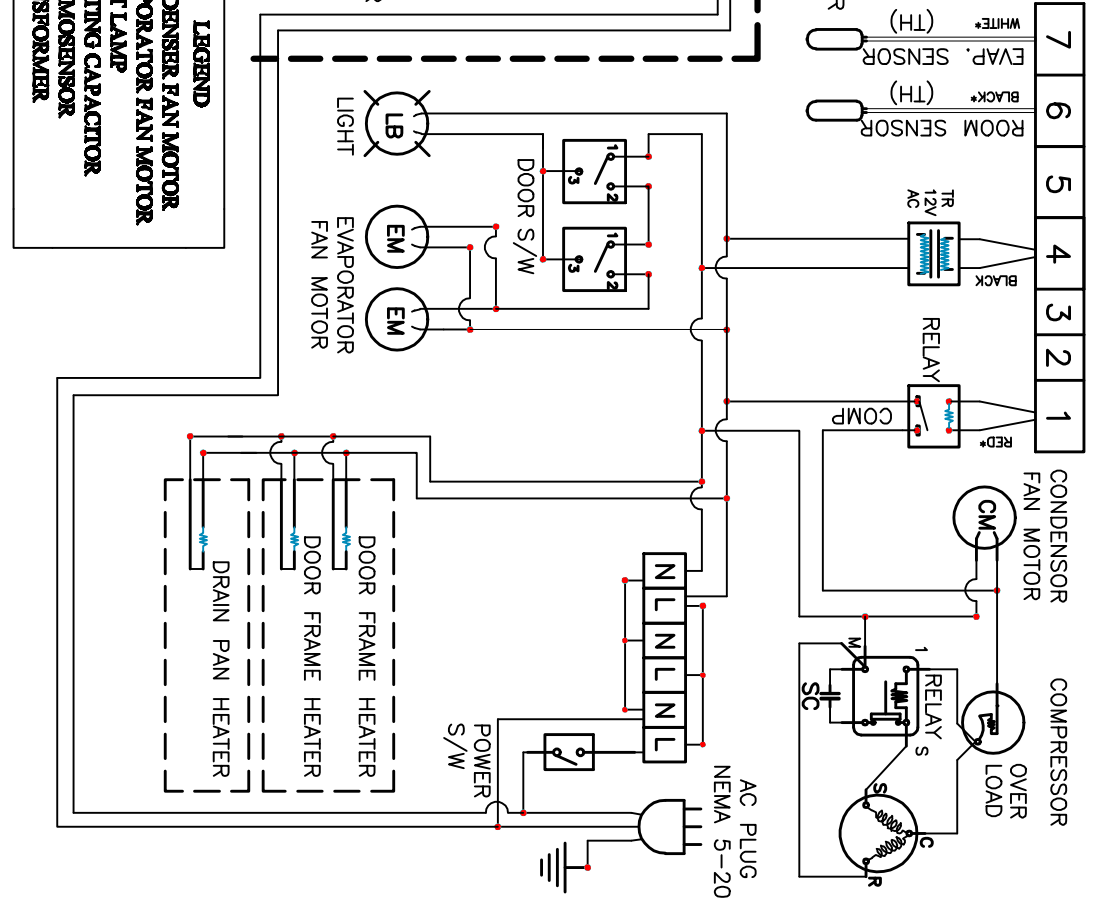
COOLER(LEFT)

SF-102 TEMPERATURE CONTROLLER



COOLER(RIGHT)

SF-102 TEMPERATURE CONTROLLER



LEGEND
 CM : CONDENSER FAN MOTOR
 EM : EVAPORATOR FAN MOTOR
 LB : LIGHT LAMP
 SC : STARTING CAPACITOR
 TH : THERMOSENSOR
 TR : TRANSFORMER

WIRING DIAGRAM - JHD-61R AC 115V

Asterisk (*) denotes sheathing color, not individual wire color.
 DIAGRAM (Aug. 2008)