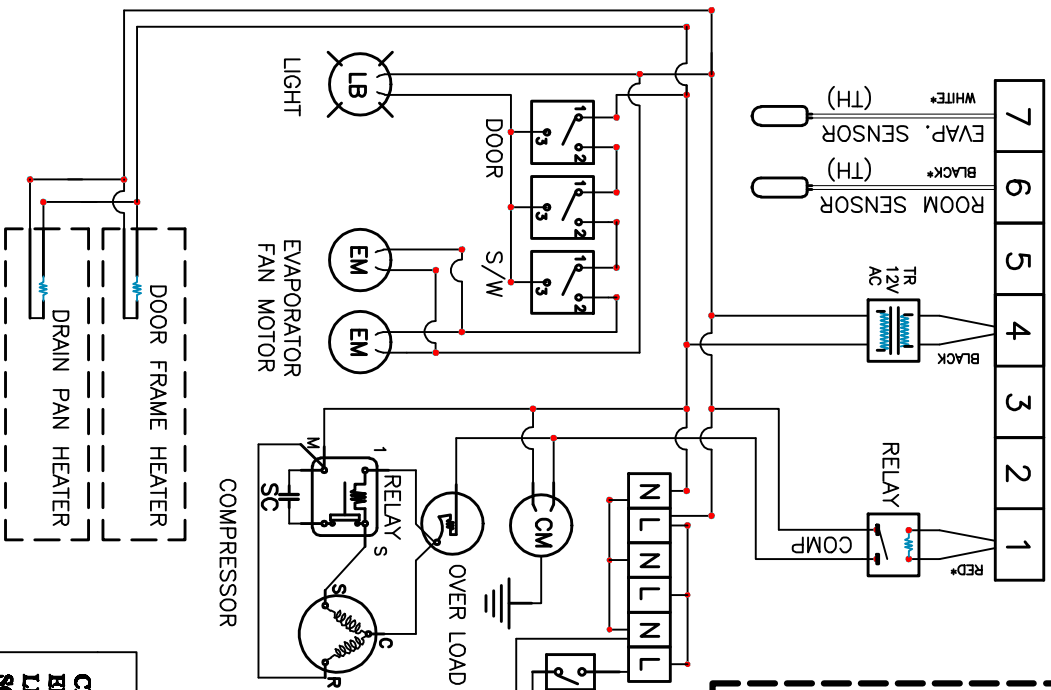


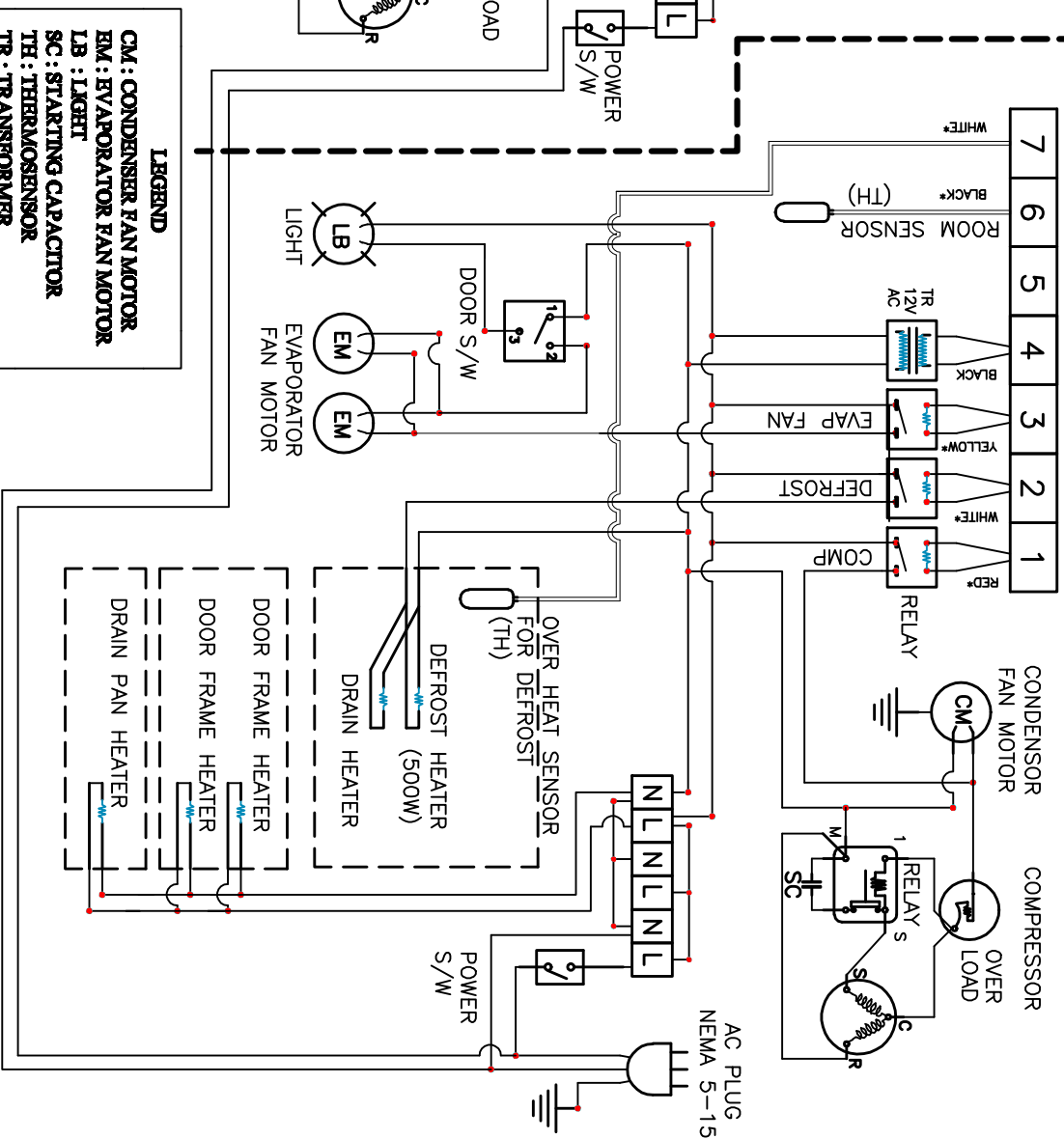
COOLER

SF-102 TEMPERATURE CONTROLLER



REFRIGERATOR

SF-104 TEMPERATURE CONTROLLER



LEGEND

- CM : CONDENSER FAN MOTOR
- EM : EVAPORATOR FAN MOTOR
- LB : LIGHT
- SC : STARTING CAPACITOR
- TH : THERMOSENSOR
- TR : TRANSFORMER

Asterisk (*) denotes sheathing color, not individual wire color.

WIRING DIAGRAM - JHD-40Q

115V AC