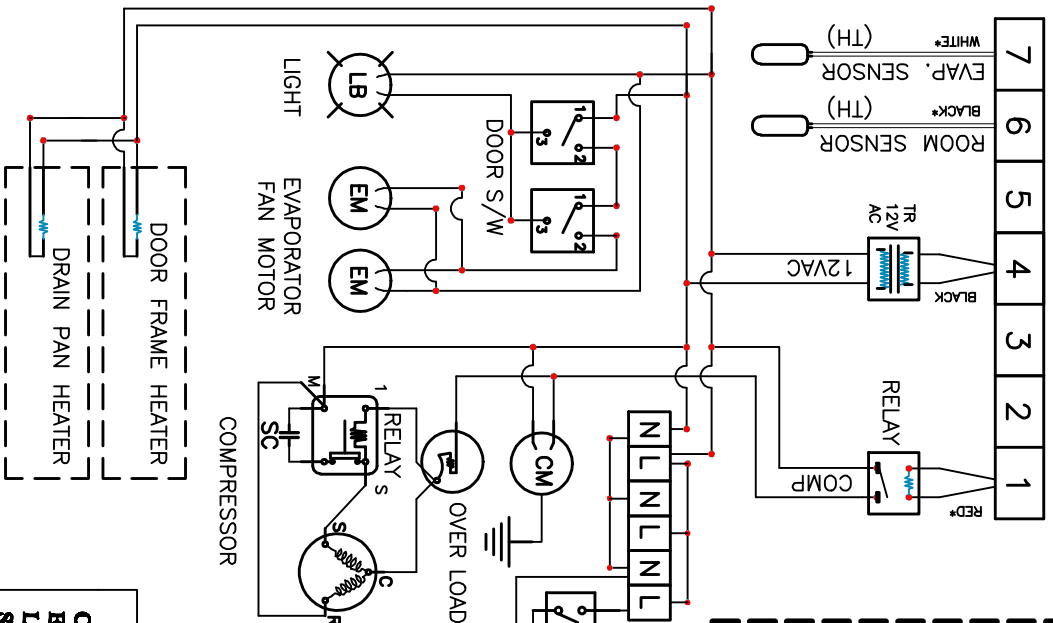


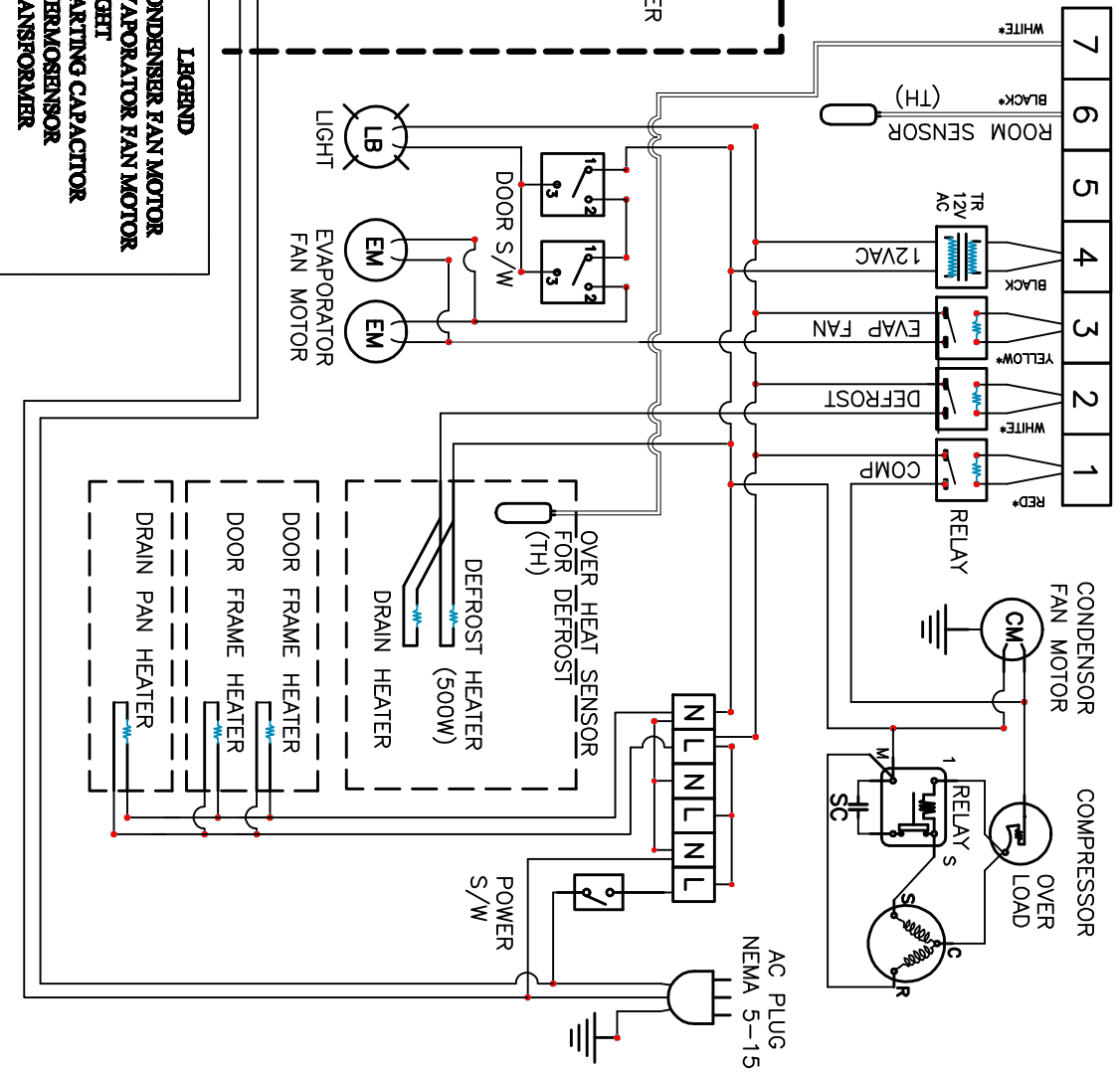
COOLER

SF-102 TEMPERATURE CONTROLLER



FREEZER

SF-104 TEMPERATURE CONTROLLER



LEGEND
 CM : CONDENSER FAN MOTOR
 EM : EVAPORATOR FAN MOTOR
 LB : LIGHT
 SC : STARTING CAPACITOR
 TH : THERMOSENSOR
 TR : TRANSFORMER

Asterisk (*) denotes sheathing color, not individual wire color.

DIAGRAM (Aug. 2008)

WIRING DIAGRAM - JHD-40DT 115V AC

AC PLUG
NEMA 5-15