



*Reaching New Heights*

Date Modified 3/4/09

# Two Door Undercounter Refrigerator



**JUC-48R**  
48.0" wide, 12 cu.ft.

***Stainless steel interior & exterior standard!***  
***Front breathing!***  
***Stainless steel worktop!***

**STANDARD FEATURES:**

- Front Breathing
- Thermostatic Control
- Stainless Steel Worktop
- CFC-free R-134a Refrigerant
- 2 Vinyl-Coated Wire Shelves
- 5" Casters Included
- Reinforced Door Hinges
- Fully Coved Interior Corners
- Self-Contained Rear Mounted Refrigeration System
- 2.5" Thick Foamed-in-place Polyurethane Insulation
- Fully-Recessed Door Handles
- Automatic Door Closure with 90° Hold Open Feature
- Evaporative Hot Gas Condensate Pan
- Snap-In Magnetic Door Gasket
- Assembled in USA

**MATERIALS:**

INTERIOR: Stainless steel interior walls, floor, and ceiling.  
Vinyl-coated wire shelves.

EXTERIOR: Stainless steel worktop.  
Stainless steel sides and doors.



## DIMENSIONAL DATA

Model No.	L	D	H	Doors	Cu.Ft.	Shelves	H/P	Volt	Amp.	NEMA	Shipping Wt.
JUC-48R	48.0	29.5	34.8	2	12	2	1/4	115/60/1	6.2	5-15P 250	



# Undercounter Refrigerator

## JUC-48R

Description: Two solid door undercounter refrigerator, 12 cu. ft

### Features & Benefits

**Stainless steel interior and exterior** for greater durability, construction and appearance.

**Front breathing** for increased efficiency.

Reinforced door hinges.

Self-contained **rear-mounted refrigeration** with high humidity coated fin coil evaporator.

- Holds 32° F to 41° F for refrigerator

2.5" thick, foamed-in-place polyurethane high density insulation.

Two adjustable, vinyl-coated steel wire shelves.

**5" casters included**- for easy mobility and installation.

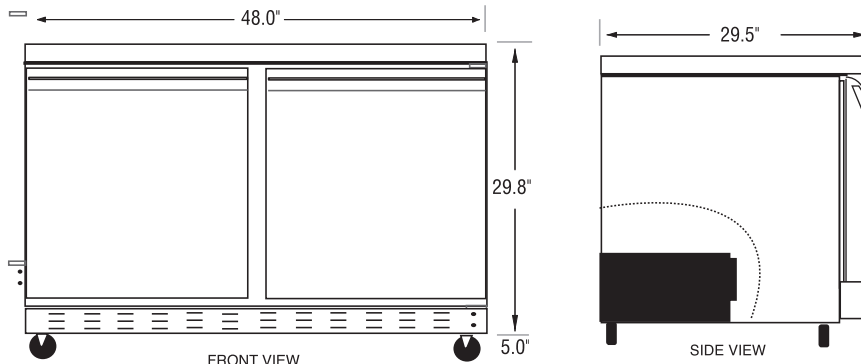
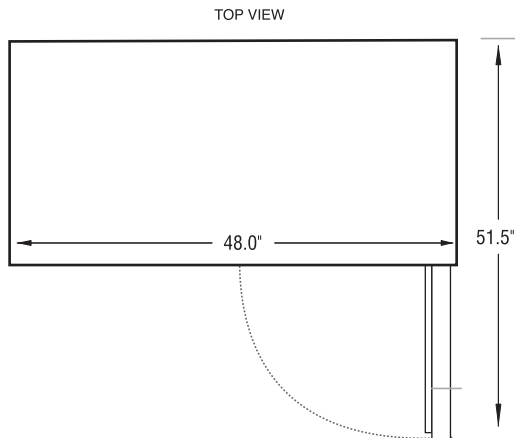
Heavy-duty **stainless steel worktop**.

**Self-closing doors** with 90 degree hold-open feature and fully-recessed handle.

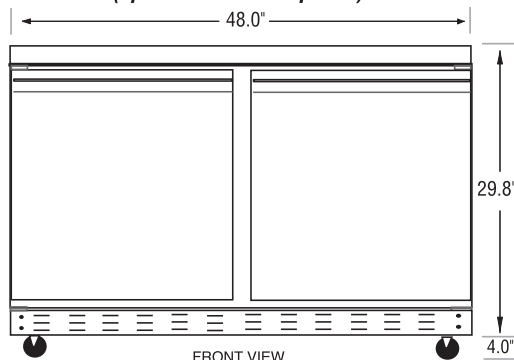
Heavy-duty overall construction for high-volume, constant operation.



NEMA 5-15P plug  
5-15R receptacle required



### ADA Compliant Unit (special casters required)



### FACTORY OPTIONS

Suffix1	Suffix2	Description
-1G		1 glass door
	-L	Left 1 glass door
	-R	Right 1 glass door
-2G		2 glass doors
-2D		2 drawers
	-L	Left 2 drawers
	-R	Right 2 drawers
-4D		4 drawers

### General Information

<b>Cubic Ft.:</b> 12	<b>Doors:</b> 2	<b>Exterior:</b> Stainless	<b>Interior:</b> Stainless
<b>Shelf Size:</b> 17.5" x 22.75"	<b>#Shelves:</b> 2	<b>Unit Weight:</b> 225 lbs.	<b>Ship Weight:</b> 250 lbs.

### Technical Data

<b>Refrigerant:</b> R-134a	<b>Start Amps:</b> 8.3	<b>Run Amps:</b> 6.2	<b>Horsepower:</b> 1/4
<b>Volts:</b> 115	<b>#Compressors:</b> 1	<b>Cord Length:</b> 82 in.	