

PROJECT \_\_\_\_\_

QTY. \_\_\_\_\_ ITEM NO \_\_\_\_\_



*Reaching New Heights*

Date Modified 3/4/09

# Two Door Undercounter Freezer



**JUC-48F**  
48.0" wide, 12 cu.ft.

***Stainless steel interior & exterior standard!***  
***Front breathing!***  
***Stainless steel worktop!***

**STANDARD FEATURES:**

- Front Breathing
- Thermostatic Control
- Stainless Steel Worktop
- CFC-free R-404a Refrigerant
- 2 Vinyl-Coated Wire Shelves
- 5" Casters Included
- Reinforced Door Hinges
- Fully Coved Interior Corners
- Self-Contained Rear Mounted Refrigeration System
- 2.5" Thick Foamed-in-place Polyurethane Insulation
- Fully-Recessed Door Handles
- Automatic Door Closure with 90° Hold Open Feature
- Evaporative Hot Gas Condensate Pan
- Snap-In Magnetic Door Gasket
- Assembled in USA

**MATERIALS:**

INTERIOR: Stainless steel interior walls, floor, and ceiling.  
Vinyl-coated wire shelves.

EXTERIOR: Stainless steel worktop.  
Stainless steel sides and door.



## DIMENSIONAL DATA

| Model No. | L    | D    | H    | Doors | Cu.Ft. | Shelves | H/P | Volt     | Amp. | NEMA  | Shipping Wt. |
|-----------|------|------|------|-------|--------|---------|-----|----------|------|-------|--------------|
| JUC-48F   | 48.0 | 29.5 | 34.8 | 2     | 12     | 2       | 1/2 | 115/60/1 | 6.5  | 5-15P | 260          |



**Undercounter Freezer**

**JUC-48F**

Description: Two solid door undercounter freezer, 12 cu. ft

**Features & Benefits**

**Stainless steel interior and exterior** for greater durability, construction and appearance.

**Front breathing** for increased efficiency.

Reinforced door hinges.

Self-contained **rear-mounted refrigeration** with high humidity coated fin coil evaporator.

- Holds -10° F to 10° F for freezer

2.5" thick, foamed-in-place polyurethane high density insulation.

Two adjustable, vinyl-coated steel wire shelves.

**5" casters included**- for easy mobility and installation.

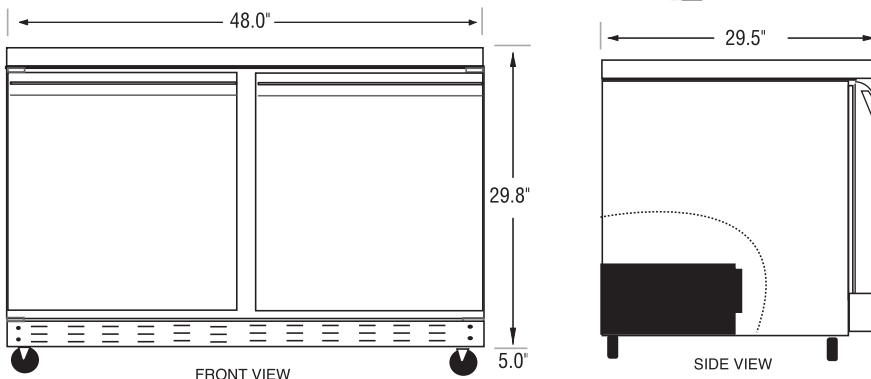
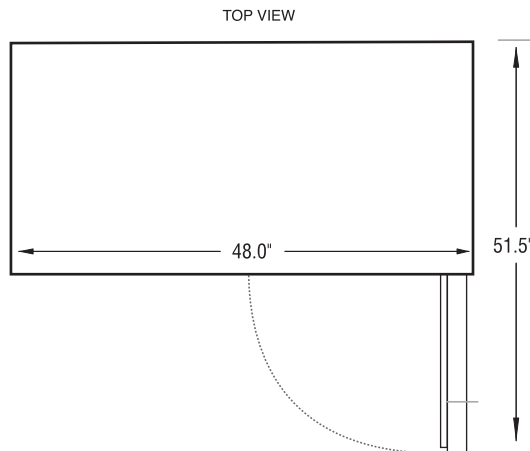
Heavy-duty **stainless steel worktop**.

**Self-closing doors** with 90 degree hold-open feature and fully-recessed handle.

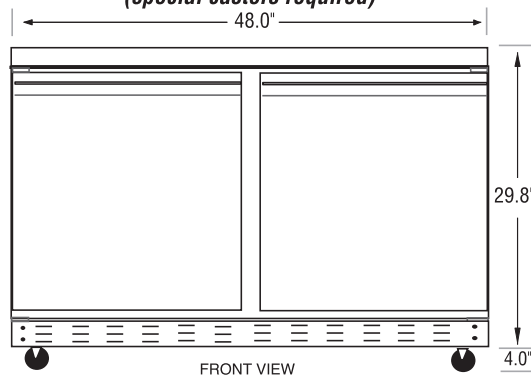
Heavy-duty overall construction for high-volume, constant operation.



NEMA 5-15P plug  
5-15R receptacle required



**ADA Compliant Unit**  
(special casters required)



**FACTORY OPTIONS**

| Suffix1 | Suffix2 | Description     |
|---------|---------|-----------------|
| -2D     |         | 2 drawers       |
|         | -L      | Left 2 drawers  |
|         | -R      | Right 2 drawers |
| -4D     |         | 4 drawers       |

**General Information**

|                                   |                    |                              |                              |
|-----------------------------------|--------------------|------------------------------|------------------------------|
| <b>Cubic Ft.:</b> 12              | <b>Doors:</b> 2    | <b>Exterior:</b> Stainless   | <b>Interior:</b> Stainless   |
| <b>Shelf Size:</b> 17.5" x 22.75" | <b>#Shelves:</b> 2 | <b>Unit Weight:</b> 235 lbs. | <b>Ship Weight:</b> 260 lbs. |

**Technical Data**

|                            |                         |                            |                        |
|----------------------------|-------------------------|----------------------------|------------------------|
| <b>Refrigerant:</b> R-404a | <b>Start Amps:</b> 10.8 | <b>Run Amps:</b> 6.5       | <b>Horsepower:</b> 1/2 |
| <b>Volts:</b> 115          | <b>#Compressors:</b> 1  | <b>Cord Length:</b> 82 in. |                        |