



Reaching New Heights

PROJECT _____

QTY. _____ ITEM NO _____

Date Modified 12/01/09

One Door Undercounter Refrigerator



JUC-27R
27.5" wide, 6 cu.ft.

Stainless steel interior & exterior standard!
Front breathing!
Stainless steel worktop!

STANDARD FEATURES:

- Front Breathing
- Thermostatic Control
- Stainless Steel Worktop
- CFC-free R-134a Refrigerant
- 1 Vinyl-Coated Wire Shelf
- 5" Casters Included
- Reinforced Door Hinges
- Fully Covered Interior Corners
- Self-Contained Rear Mounted Refrigeration System
- 2.5" Thick Foamed-in-place Polyurethane Insulation
- Fully-Recessed Door Handle
- Automatic Door Closure with 90° Hold Open Feature
- Evaporative Hot Gas Condensate Pan
- Snap-In Magnetic Door Gasket
- Assembled in USA

MATERIALS:

INTERIOR: Stainless steel interior walls, floor, and ceiling.
Vinyl-coated wire shelf.

EXTERIOR: Stainless steel worktop.
Stainless steel sides and door.



DIMENSIONAL DATA

Model No.	L	D	H	Doors	Cu.Ft.	Shelves	H/P	Volt	Amp.	NEMA	Shipping Wt.
JUC-27R	27.5	29.5	34.8	1	6	1	1/5	115/60/1	4.1	5-15P	200



Undercounter Refrigerator

JUC-27R

Description: One solid door undercounter refrigerator, 6 cu. ft

Features & Benefits

Stainless steel interior and exterior for greater durability, construction and appearance.

Front breathing for increased efficiency.

Reinforced door hinges.

Self-contained rear-mounted refrigeration with high humidity coated fin coil evaporator.

- Holds 32° F to 41° F for refrigerator

2.5" thick, foamed-in-place polyurethane high density insulation.

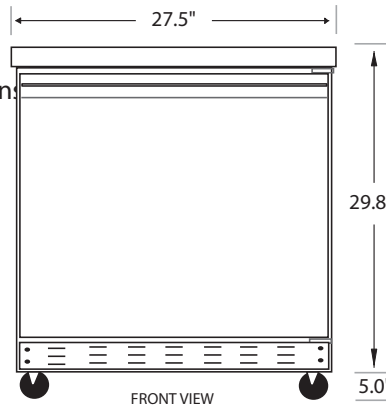
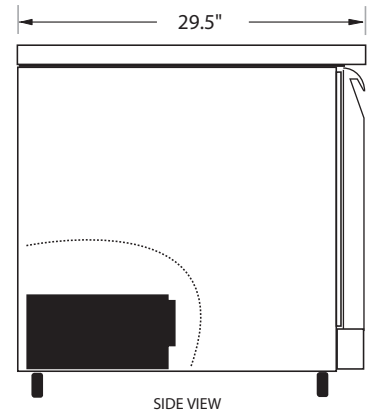
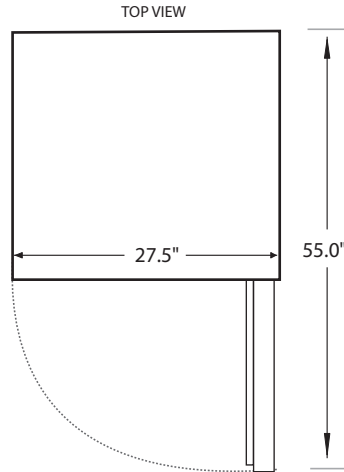
One adjustable, vinyl-coated steel wire shelves.

5" casters included- for easy mobility and installation.

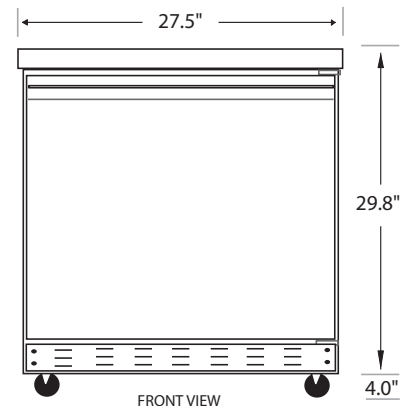
Heavy-duty stainless steel worktop.

Self-closing doors with 90 degree hold-open feature and fully-recessed handle.

Heavy-duty overall construction for high-volume, constant operation.



ADA Compliant Unit
(special casters required)



FACTORY OPTIONS (Not NSF Approved)

Suffix 1
-2D

Description
2 Drawers



NEMA 5-15P plug
5-15R receptacle required

General Information

Cubic Ft.: 6	Doors: 1	Exterior: Stainless	Interior: Stainless
Shelf Size: 17.5" x 22.75"	#Shelves: 1	Unit Weight: 180 lbs.	Ship Weight: 200 lbs.

Technical Data

Refrigerant: R-134a	Start Amps: 5.4	Run Amps: 4.1	Horsepower: 1/5
Volts: 115	#Compressors: 1	Cord Length: 82 in.	