

PROJECT \_\_\_\_\_

QTY. \_\_\_\_\_ ITEM NO \_\_\_\_\_



*Reaching New Heights*

Date Modified 3/4/09

# Two Door Mega Top Sandwich Preparation Unit



**JMP-4818**  
48.0" wide, 12 cu.ft.

***Stainless steel interior & exterior standard!***  
***Front breathing!***  
***The most durable condiment lid in the industry!***

**STANDARD FEATURES:**

- Front Breathing
- Thermostatic Control
- Stainless Steel Catch Tray under pans
- CFC-free R-134a Refrigerant
- 2 Vinyl-Coated Wire Shelves
- 5" Casters Included
- Reinforced Door Hinges
- Fully Covered Interior Corners
- Self-Contained Rear Mounted Refrigeration System
- 2.5" Thick Foamed-in-place Polyurethane Insulation
- Fully-Recessed Door Handles
- Automatic Door Closure with 90° Hold Open Feature
- Evaporative Hot Gas Condensate Pan
- Snap-In Magnetic Door Gasket
- Assembled in USA

**MATERIALS:**

**INTERIOR:** Stainless steel interior walls, floor, and ceiling.  
Vinyl-coated wire shelves.

**EXTERIOR:** Stainless steel worktop.  
Stainless steel sides and doors.

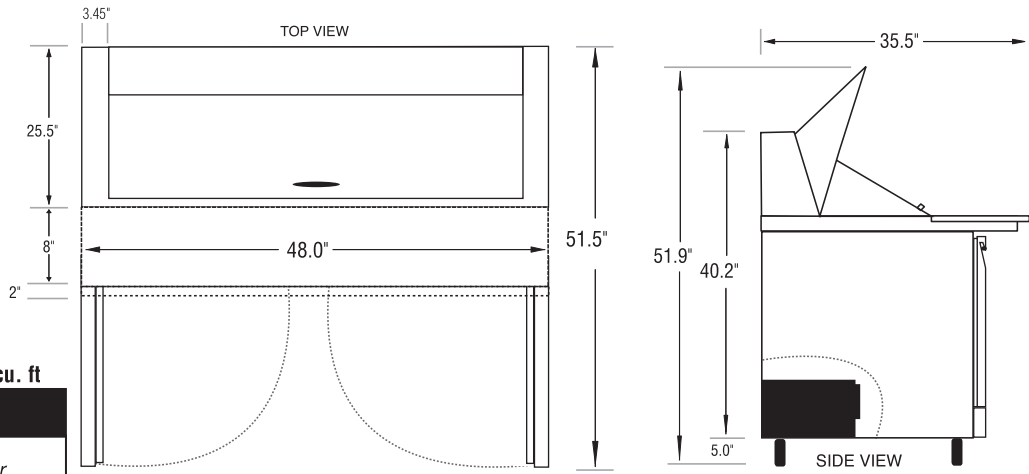


## DIMENSIONAL DATA

Model No.	L	D	H	Cu.Ft.	Lids	Pans	H/P	Volt	Amp.	NEMA	Shipping Wt.
JMP-4818	48.0"	33.5"	45.2"	12	1	18	1/3	115/60/1	8.2	5-15P	370



# Mega Top Sandwich Prep Unit JMP-4818



**Description:** Two door mega top sandwich prep unit, 12 cu. ft

## Features & Benefits

**Stainless steel interior and exterior** for greater durability, construction and appearance.

Self-contained **rear-mounted refrigeration** with high humidity coated fin coil evaporator.

- Holds 33° F to 41° F for refrigerator

2.5" thick, foamed-in-place polyurethane high density insulation.

**18 poly-carbonate, 1/6 size pans.**

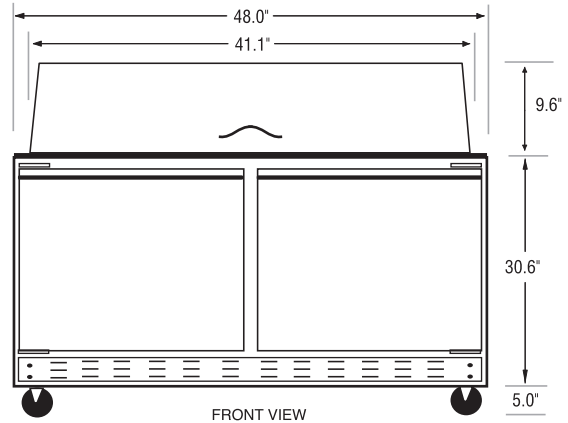
**5" casters included-** for easy mobility and installation.

**Ten inch full length removable cutting board.**

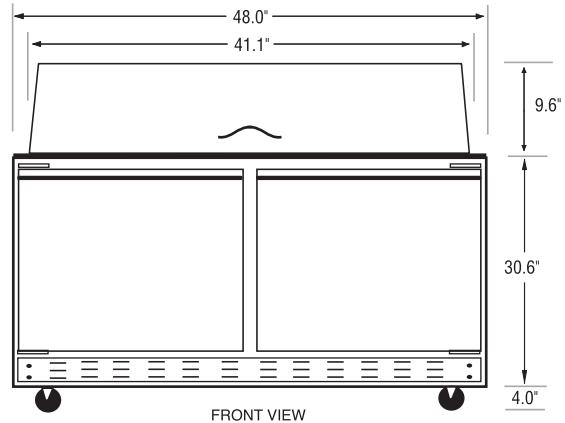
Stainless steel top.

**Reinforced hinges and self-closing doors** with 90 degree hold-open feature and fully-recessed handles.

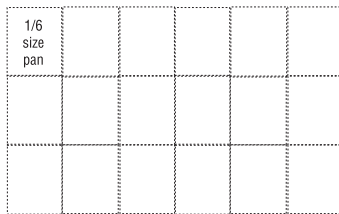
Hot gas evaporative condensate pan - no floor drain required!



## ADA Compliant Unit (special casters required)



### PAN CONFIGURATION



### Optional

Fits 1 full size 12"x20" pan or 2 half size 12"x10" pans in place of 6 sixth size pans. (Full size and half size pans not included)



*NEMA 5-15P plug  
5-15R receptacle required*

## General Information

**Cubic Ft.:** 12

**Shelf Size:** 17.5" x 22.9"

**Pans:** 18

**#Lids:** 1

**Exterior:** Stainless

**Unit Weight:** 320 lbs.

**Interior:** Stainless

**Ship Weight:** 360 lbs.

## Technical Data

**Refrigerant:** R-134a

**Volts:** 115

**Start Amps:** 9.4

**#Compressors:** 1

**Run Amps:** 8.2

**Cord Length:** 82 in.

**Horsepower:** 1/3

*SPECIFICATIONS SUBJECT TO CHANGE WITHOUT NOTICE*