



COMMERCIAL REFRIGERATOR
OWNER'S MANUAL

Models: JGD-12R, JGD-16R, JGD-23R,
JGD-48R, JGD-48RS, JGD-72R

This manual contains important information regarding your new ASCEND unit. Please read the manual thoroughly prior to equipment set-up, operation and maintenance. Failure to comply with regular maintenance guidelines outlined in this manual may void warranty. MUST READ!!!

Jimex Corp.

1575 Zephyr Avenue

Hayward, CA 94544

(800) 314-4477 (510) 477-3400

f: (510) 477-3413

www.ASCENDmfg.com

TABLE OF CONTENTS

Page 2.....	ASCEND® Limited Warranty
Page 3.....	Installation
Page 4.....	Leg/Caster Installation, Temperature Control Instructions
Page 5.....	Safety / Warning
Page 6.....	Maintenance
Page 6.....	Troubleshooting

LIMITED WARRANTY

Jimex Corp. warrants to the original purchaser the Ascend® unit sold and all parts thereof to be free from defects in material or workmanship, under normal use and service for a period of one (1) year from the date of purchase.

In addition to the warranty set forth above, Jimex Corp. warrants the hermetically-sealed compressor for an additional four (4) years, not to exceed sixty (60) months from the date of shipment from the corresponding distribution location.

Please read the attached Original Warranty Certificate for details.

EXCLUSION FROM WARRANTY

1. Normal start-up, maintenance, adjustments, and cleaning.
2. Damage caused by improper installation of the Ascend® unit as outlined in this manual.
3. Labor charges resulting from the inaccessibility of the Ascend® cabinet.
4. Damage to parts due to misuse, abuse, neglect, or accidents.
5. Premium labor rates due to holidays, overtime, travel time, mileage, etc., not specifically authorized by Jimex Corp. prior to service.
6. Repairs due to modifications to the Ascend® unit or refrigeration system, including remoting location of compressor(s), door hinge reversal, etc.
7. Claims for indirect or consequential damages, including food spoilage or product loss.
8. Damage due to faulty or incorrect power supply, floods, storms, or other acts of God.

WARRANTY SERVICE

To insure warranty coverage, a qualified service company, authorized by Jimex Corp., must perform the warranty repair. Please contact the Ascend® Service Department for assistance. All service calls must be authorized by a qualified Jimex Corp. employee.

INSTALLATION

IMPORTANT!!! PLEASE READ BEFORE INSTALLATION

- 1) If the unit has recently been transported please let unit stand still for a minimum of 24 hours before plugging it in.
- 2) Make sure that the unit drops down to desired temperature before loading the unit with product.
- 3) Make sure that there is proper ventilation around the unit in the area where it will operate.
- 4) Make sure all accessories are installed (i.e. shelves, shelf clips, casters) before plugging the unit in.
- 5) Please read through the Operation / Owners Manual in its entirety. Lack of maintenance or misuse of the unit will VOID warranty. Please fill out the registration card and send it to the factory.

CABINET LOCATION GUIDELINES

FOR BEST DOOR OPERATION AND DRAINAGE, INSTALL THE UNIT SLIGHTLY TILTED TOWARDS THE BACK!

1) Install the unit in an indoor, well-ventilated area

- unit performs more efficiently in a well-ventilated area
- for best performance, please maintain clearance of 4" on the back of the unit
- outdoor use may cause decreased efficiency and damage to the unit

2) Avoid installation in a high humidity and/or dusty area

- humidity could cause unit to rust and decrease efficiency of the unit
- dust collected on condenser coil will cause unit to malfunction. Clean the condenser at least once a month with a brush or clean cloth
- malfunction due to dirty condenser will void warranty

3) Select a location away from heat and moisture-generating equipment

- high ambient temperatures will cause the compressor to overwork, leading to higher energy bills and gradual breakdown of the unit
- malfunction due to high ambient temperature will void warranty

ELECTRICAL

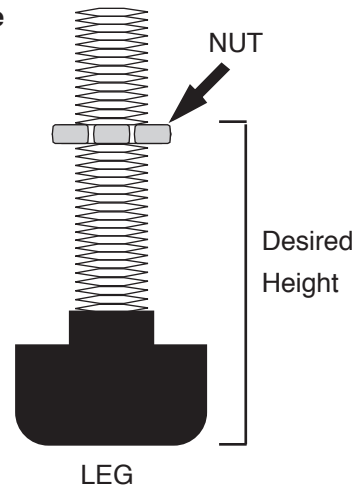
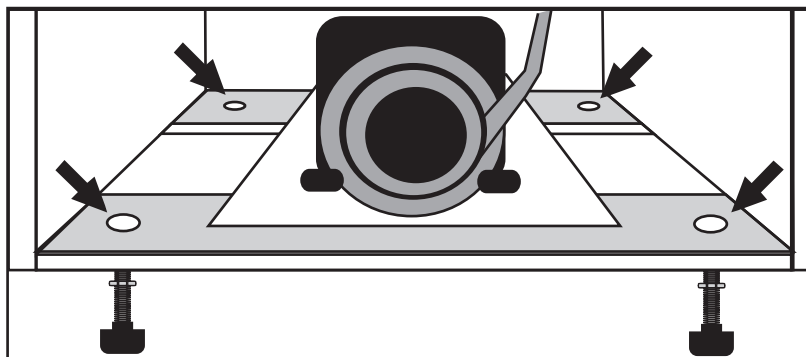
Please ensure that the required voltage of the compressor is being supplied at all times. Low or high voltage can detrimentally affect the refrigeration unit and thereby void its warranty.

All units should be plugged into a grounded and properly-sized electrical outlet with appropriate overcurrent protection. Please refer to the electrical requirements on the unit serial tag located inside the unit. Please make sure that your unit has its own dedicated outlet. Do not use an extension cord.

UNIT LEG AND CASTER (optional) INSTALLATION

Make sure to follow diagrams to properly install the units adjustable legs or optional casters!!!

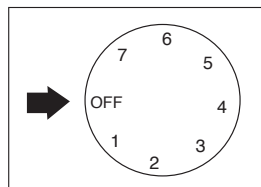
- 1) Simply screw the leg into the welded nut on the support rail. **Make sure to fasten the nut securely against the support rails.**
- 2) For optional caster installation, screw the caster bolt into the welded nut on the support rails. **Make sure that caster nut is very tight.**
- 3) Make sure to properly install all legs. All units require 4 legs. (72R model requires 6 legs or 6 casters)



TEMPERATURE CONTROLS

The temperature controls are factory-set to maintain an average temperature of 38 F in refrigerators and 0 F in freezers. To maintain a different temperature, simply adjust the control knob located inside the unit. To decrease the temperature (colder), turn clockwise. To increase the temperature (warmer), turn counter-clockwise - see diagram

Temperatures range
from 7 (coldest) to 1



CAUTION
Setting the temperature control to the coldest setting may cause the evaporator coil to freeze and ice up. This will eventually result in a warmer cabinet temperature.

LOADING PRODUCT

Before loading shelves, please be sure that all shelf clips are completely fastened in their correct locations. In order to maintain correct air flow inside the unit, please be sure to leave two to four (2 to 4) inches of space between the back wall and stored product. Blocking the evaporator fans will result in a warmer cabinet temperature, and ultimately compressor failure.

SAFETY / WARNING

Please pay close attention the the safety notices in this section. Disregarding these notices may lead to serious injury and/or damage to the unit.

KEY

			
ATTENTION	UNPLUG CORD	PROPER GROUNDING REQUIRED	PROHIBITED



- 1) To minimize shock and fire hazards, be sure not to overload outlet. Please designate one outlet for your unit.
- 2) Do not use extension cords.
- 3) Do not put your hands under the unit when the unit is required to be moved.
- 4) When the unit is not in use for a long period of time, please unplug the unit from the outlet.
- 5) After unplugging the unit, wait at least 10 minutes before re-plugging it. Failure to do so could cause damage to the compressor.



- 1) To minimize shock and fire hazards, please do not plug or unplug the cord with wet hands.
- 2) During maintenance and cleaning, please unplug the unit.



- 1) To minimize shock and fire hazards, make sure that the unit is properly grounded.



- 1) Do not attempt to remove or repair any component unless instructed by factory.
- 2) Make sure that the unit is not resting on or against the electrical cord and plug.
- 3) To minimize personal injury, do not hang on the doors.
- 4) Do not store any flammable and explosive gas or liquids inside the unit.
- 5) Do not attempt to alter or tamper with the electrical cord.
- 6) Do not set the desired temperature out of the recommended temperature range:
(Ref: 32 F - 55 F Fre: -15 F - 20 F)

REGULAR MAINTENANCE

CLEANING THE CONDENSER COIL

For efficient operation, it is important that the condenser surface be kept free of dust, dirt, and lint. ColdTech recommends cleaning the condenser coil and fins at least once per month. Clean with a commercial condenser coil cleaner, available from any kitchen equipment retailer. Brush the condenser fins from top to bottom, not side to side. After cleaning, straighten any bent condenser fins with a fin comb.

CLEANING THE FAN BLADES AND MOTOR

If necessary, clean the fan blades and motor with a soft cloth. If it is necessary to wash the fan blades, cover the fan motor to prevent moisture damage.

CLEANING THE INTERIOR OF UNIT

When cleaning the cabinet interior, use a solvent of warm water and mild soap. Do not use steel wool, caustic soap, abrasive cleaners, or bleach that may damage the stainless steel surface.

Wash door gaskets on a regular basis, preferably weekly. Simply remove door gasket from the frame of the door, soak in warm water and soap for thirty (30) minutes, dry with soft cloth, and replace. Check door gaskets for proper seal after they are replaced.

Periodically remove the shelves and pilasters from the unit and clean them with mild soap and warm water. To remove the pilasters, first remove the shelves and shelf brackets. Then, simply lift the pilaster up and out.

WARNING

Disconnect power cord before cleaning any parts of the unit.

TROUBLE SHOOTING

Before requesting any service on your Ascend® unit, please check the following points. Service calls resulting from lack of maintenance or misuse is not covered under warranty and also may void warranty. Please note that this guide serves only as a reference for solutions to common problems.

SYMPTOM	POSSIBLE CAUSE	CORRECTIVE ACTION
Compressor not running.	<p>Fuse blown or circuit breaker tripped.</p> <p>Power cord unplugged. Thermostat set too high.</p> <p>Cabinet in defrost cycle.</p>	<p>Replace fuse or reset circuit breaker.</p> <p>Plug in power cord. Set thermostat to lower temperature. Wait for defrost cycle to finish.</p>
Condensing unit runs for long periods of time.	<p>Excessive amount of warm product placed in cabinet. Prolonged door opening or door ajar.</p> <p>Door gasket(s) not sealing properly.</p> <p>Dirty condenser coil. Evaporator coil iced over.</p>	<p>Allow adequate time for product to cool down. Ensure doors are closed when not in use. Avoid opening doors for long periods of time. Ensure gaskets are snapped in completely. Remove gasket and wash with soap and water. Check condition of gasket and replace if necessary. Clean the condenser coil. Unplug unit and allow coil to defrost. Make sure thermostat is not set too cold. Ensure that door gasket(s) are sealing properly.</p>
Cabinet temperature is too warm.	<p>Thermostat set too warm.</p> <p>Blocking air flow.</p> <p>Excessive amount of warm product placed in cabinet. Fuse blown or circuit breaker tripped.</p> <p>Dirty condenser coil. Prolonged door opening or door ajar.</p> <p>Evaporator coil iced over.</p>	<p>Set thermostat to lower temperature. Re-arrange product to allow for proper air flow. Make sure there is at least four inches of clearance from evaporator. Allow adequate time for product to cool down. Replace fuse or reset circuit breaker. Clean the condenser coil. Ensure doors are closed when not in use. Avoid opening doors for long periods of time. (see above)</p>
Cabinet is noisy.	<p>Loose part(s).</p> <p>Tubing vibration.</p>	<p>Locate and tighten loose part(s). Ensure tubing is free from contact with other tubing or components.</p>

Reaching New Heights™

MEMO

RETAIN THIS MANUAL FOR FUTURE REFERENCE

Please read the entire manual carefully before installation and operation. If certain recommended procedures are not followed, warranty claims will be denied.

Notice: Jimex reserves the right to make changes in design and specifications without prior notice.

MODEL #: _____

SERIAL #: _____

PURCHASE DATE #: _____