



Reaching New Heights

Date Modified 3/12/09

One Glass Door Countertop Merchandiser & Pass Thru

JGD-06R
6 cu.ft., 1 swing door

JGD-06R-PT
6 cu.ft., 1 swing door, Pass Thru



- *Double pane tempered thermal glass!*
- *Aluminum door frames!*
- *Lighted top sign panel!*
- *Interior light!*



STANDARD FEATURES:

- Capillary tube
- CFC-free R-134a Refrigerant
- Thermostatic Temperature Control
- Lighted top sign panel
- Assembled in the USA

- Top-Mounted Compressor
- Foamed-in-place Polyurethane Insulation
- 6' Cord & Plug
- Interior light with light switch

- Evaporative Hot Gas Condensate Pan
- Vinyl-Coated Wire Shelves
- Automatic Door Closure with 90° Hold Open Feature

MATERIALS:

INTERIOR: Cold-colored steel ceiling and walls.
Vinyl-coated wire shelves.

EXTERIOR: Cold-colored steel cabinet.
Plastic top sign panel.
Double-pane glass doors.



NSF/ANSI Standard 7



C LISTED US

DIMENSIONAL DATA

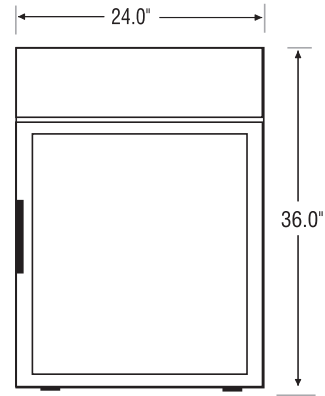
Model No.	L	D	H	Doors	Cu.Ft.	Shelves	H/P	Volt	Amp.	NEMA	Ship Wt.
JGD-06R	24.0"	25.1"	36.0"	1	6	2	1/6	115/60/1	2.9	5-15P	150
JGD-06R-PT	24.0"	27.3"	36.0"	2	6	2	1/6	115/60/1	2.9	5-15P	165



Glass Door Merchandiser

JGD-06R & JGD-06R-PT

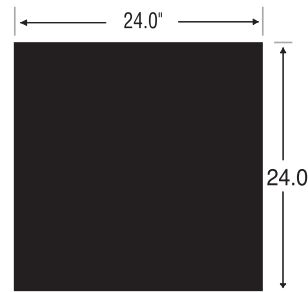
One glass countertop merchandiser & pass-thru



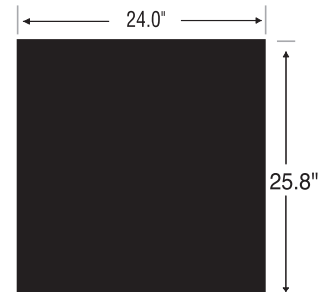
FRONT VIEW

Features & Benefits

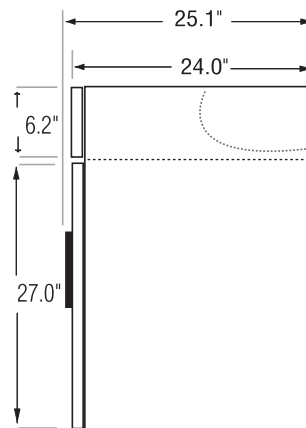
- Self Contained top mounted compressor.**
- 2.5" thick foamed-in-place high density polyurethane insulation.*
- Double-pane tempered thermal glass for better insulation and energy efficiency.**
- Completely sealed, low-noise compressor.*
 - Holds 33° F to 41° F
- Aluminum door frames.*
- Reinforced door hinges.**
- Two vinyl-coated adjustable steel wire shelves.*
- Forced air system with no need for defrost.**
- Top lighted sign panel.*
- One interior light with light switch.*
- Temperature control mounted on back exterior of unit.*



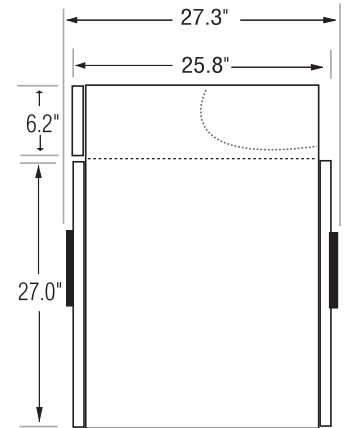
TOP VIEW of JGD-06R



TOP VIEW of JGD-06R-PT



SIDE VIEW of JGD-06R



SIDE VIEW of JGD-06R-PT



*NEMA 5-15P plug
5-15R receptacle required*

General Information

Cubic Ft.: 6

Shelf Size: 20.3" x 17.3"

Doors: 1 (06R) or 2 (06R-PT)

Unit Weight: 135 lbs. (06R) or 150 lbs. (06R-PT)

Exterior: Colored Steel

Interior: Colored Steel

Ship Weight: 150 lbs. (06R) or 165 lbs. (06R-PT)

Technical Data

Refrigerant: R-134a

Volts: 115

Start Amps: 3.4

#Compressors: 1

Run Amps: 2.9

Cord Length: 72 in.

Horsepower: 1/6