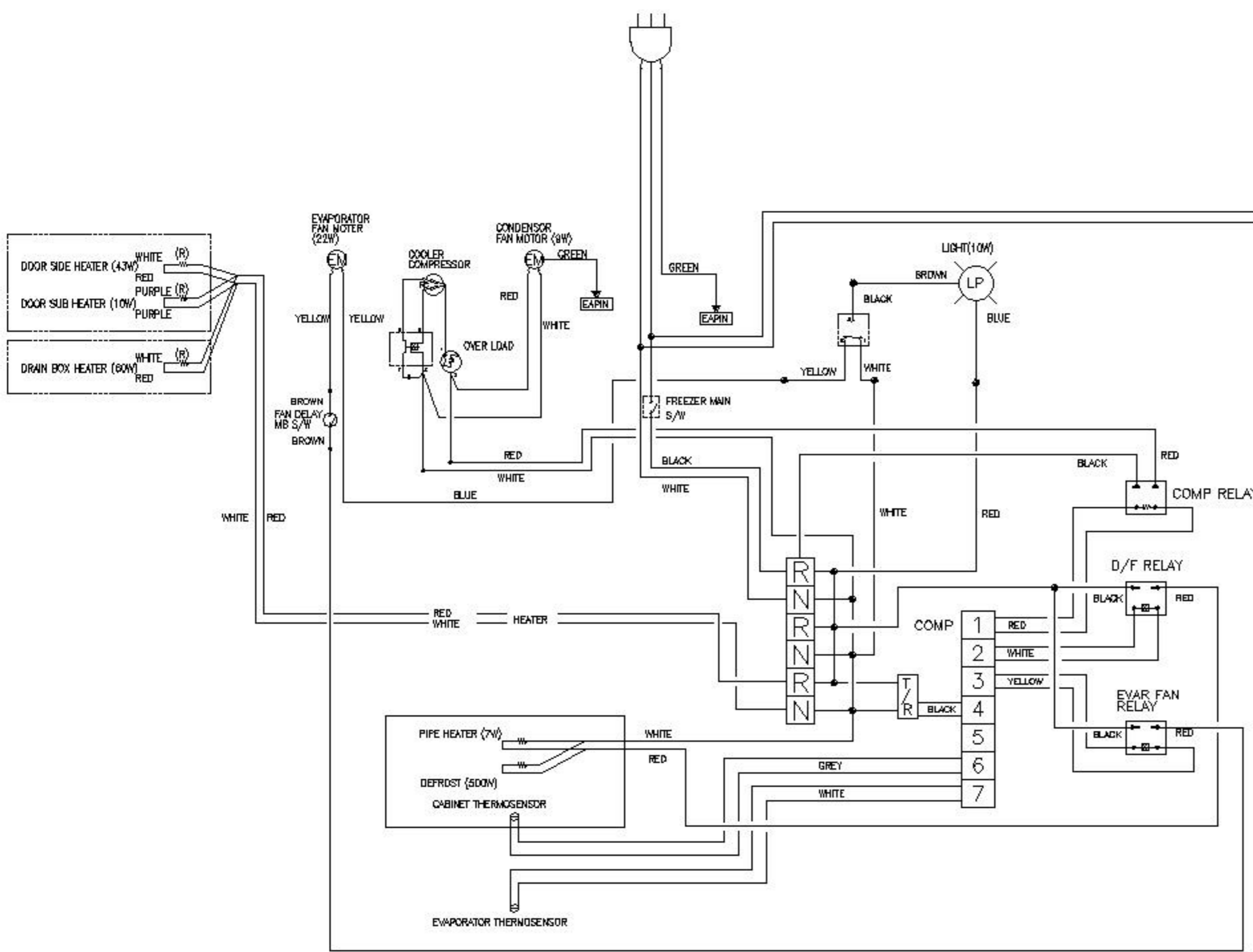
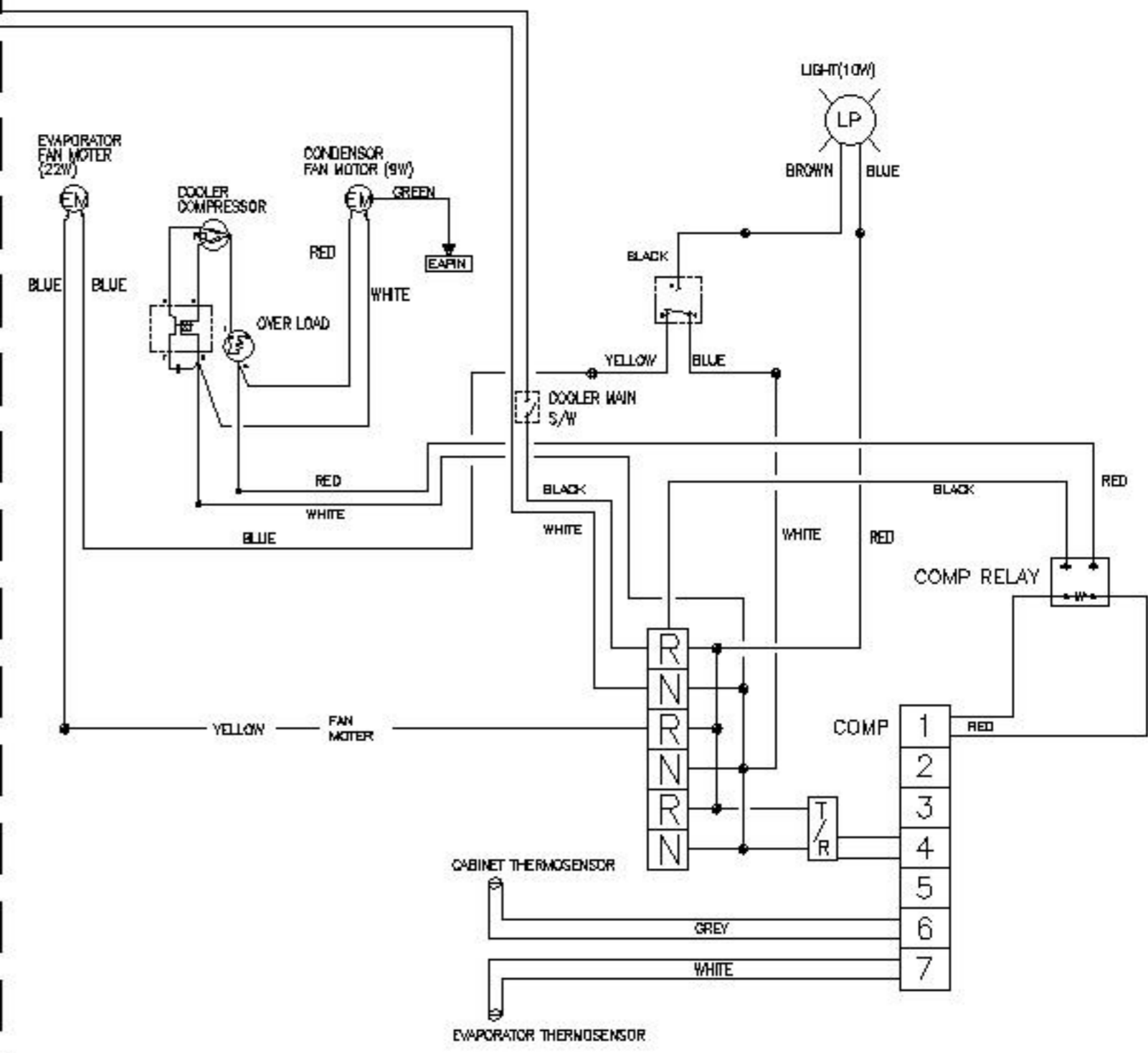


LEGEND	
LP : LIGHT LAMP	WEIGHT : 209
L : SIGNAL LAMP(LED)	EXTERIOR : STAINLESS
FC : FREEZER COMPRESSOR	INTERIOR : STAINLESS
CM : CONDENSER FAN MOTOR	CU. FT : 21
EM : EVAPORATOR FAN MOTOR	EXTERIOR DIMENSIONS
H : ELECTRIC HEATER	29.1W X 032.5D X 76.2H
TH : THERMOSENSOR	INTERIOR DIMENSIONS
P : PUSH BUTTON SWITCH	24W X 26.7D X 57.0H
SC : STARTING CONDENSOR	VOLTS : 115
T/R : TRANSFORMER	SHELVES : 4



FREEZER



COOLER

CONTROL WIRING DIAGRAM(U2CRF-16C)

AC 115V X 60Hz X 1Ph