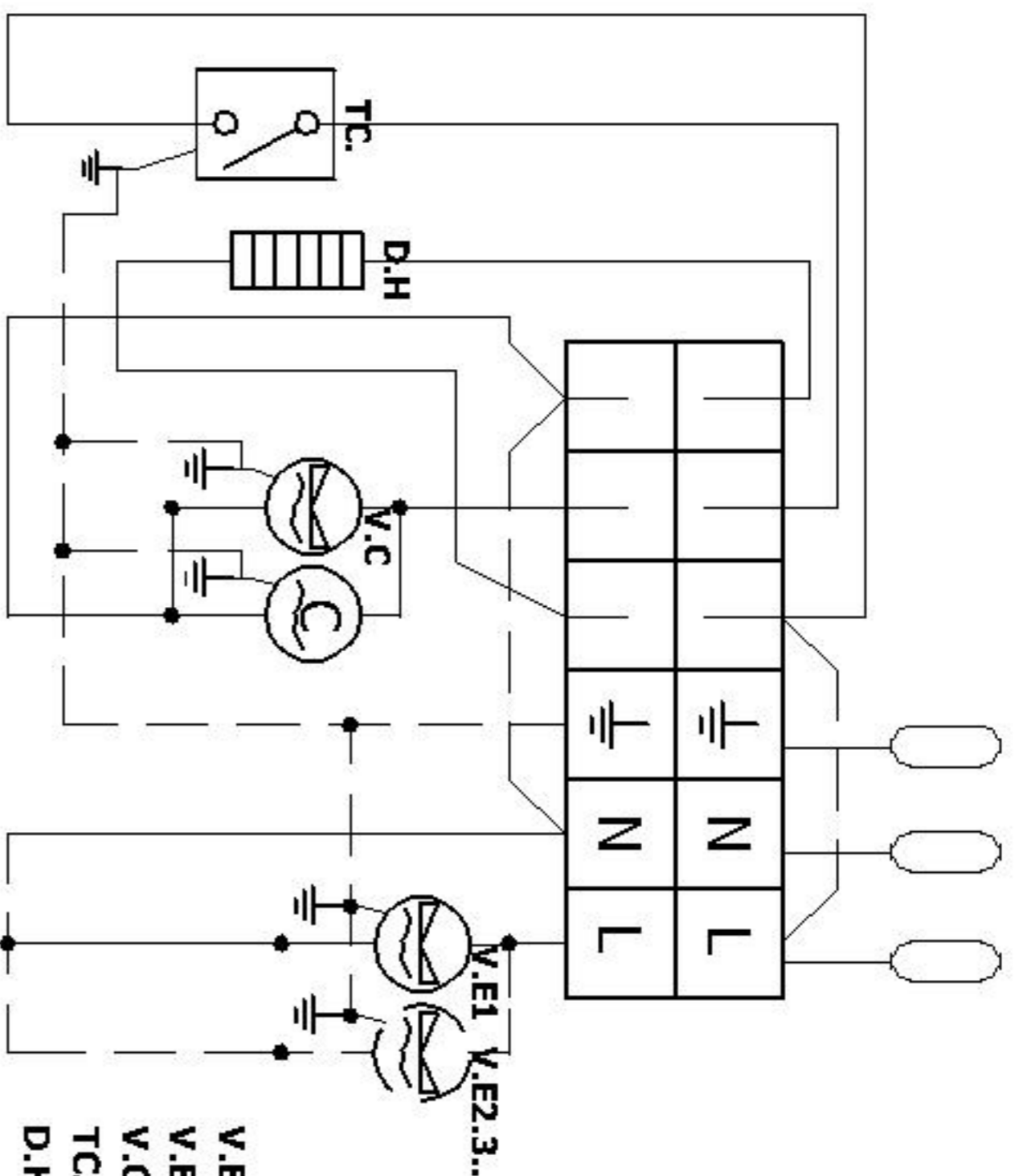


# CIRCUIT DIAGRAM

MODEL: U1BRR-06S  
U2BRR-12S

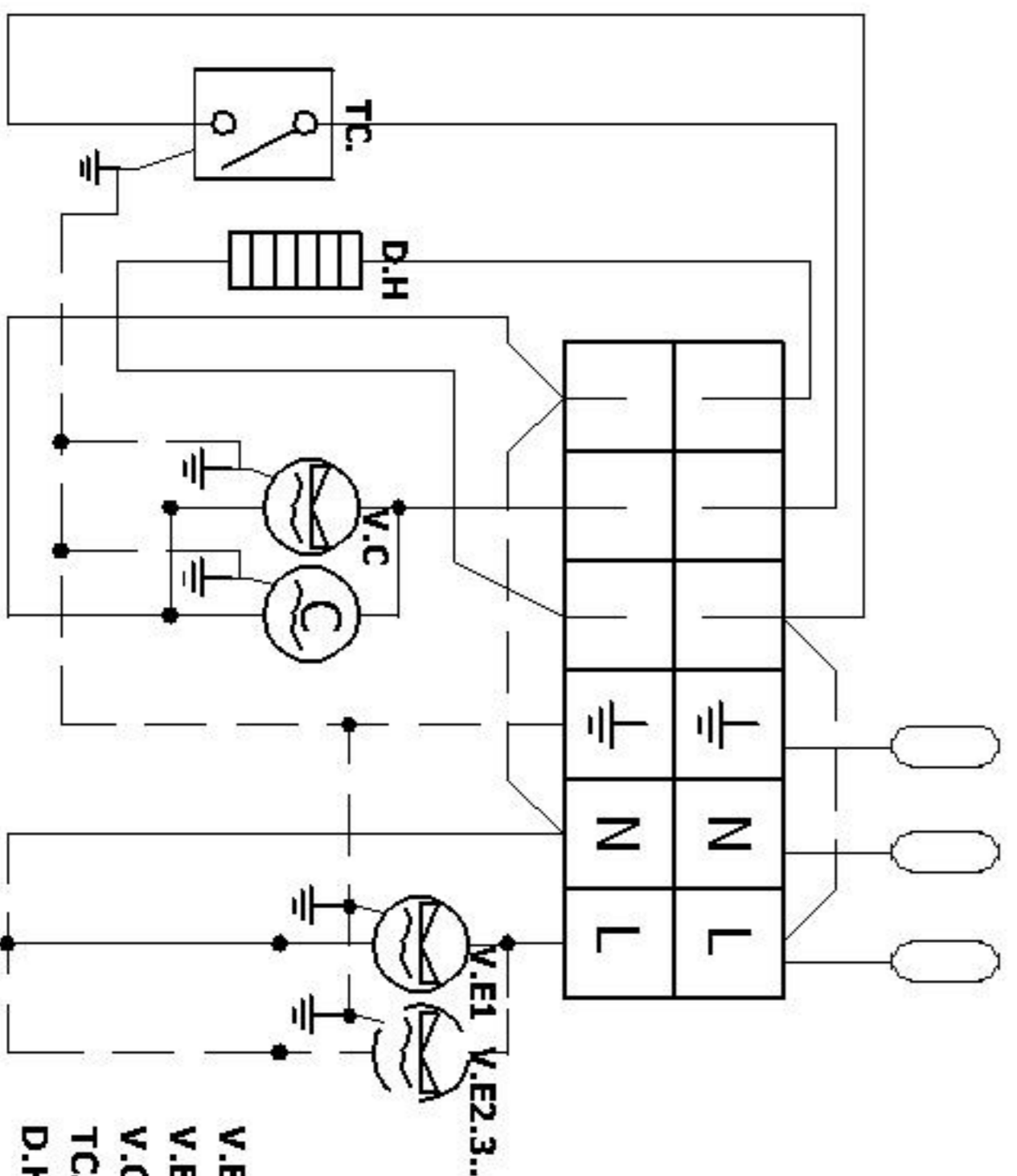


V.E1 : EVAPORATOR FAN MOTOR1  
V.E2.3... : EVAPORATOR FAN MOTOR2.3...  
V.C : COMPRESSOR CONDENSER FAN MOTOR  
TC : THERMOSTAT  
D.H : DOORFRAME HEATER

C:\FD\Diagram (Wiring) \*#U12BRR.dwg (C.10.2006)

# CIRCUIT DIAGRAM

MODEL: U1BRR-06S  
U2BRR-12S



V.E1 : EVAPORATOR FAN MOTOR1  
V.E2.3... : EVAPORATOR FAN MOTOR2.3...  
V.C : COMPRESSOR CONDENSER FAN MOTOR  
TC : THERMOSTAT  
D.H : DOORFRAME HEATER

C:\FD\Diagram (Wiring) \*#U12BRR.dwg (C.10.2006)