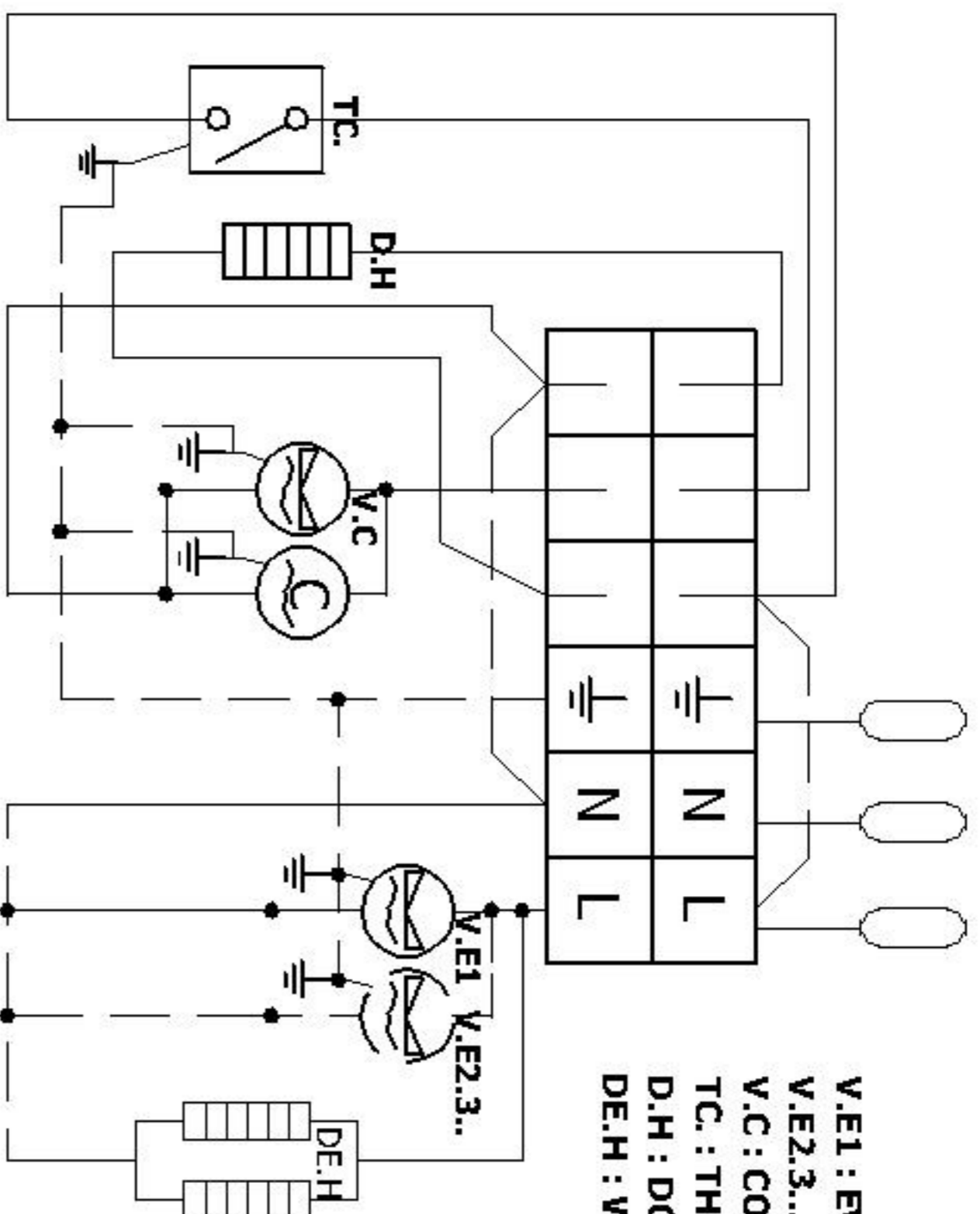


CIRCUIT DIAGRAM

MODEL: U1BFF-06S
U2BFF-12S

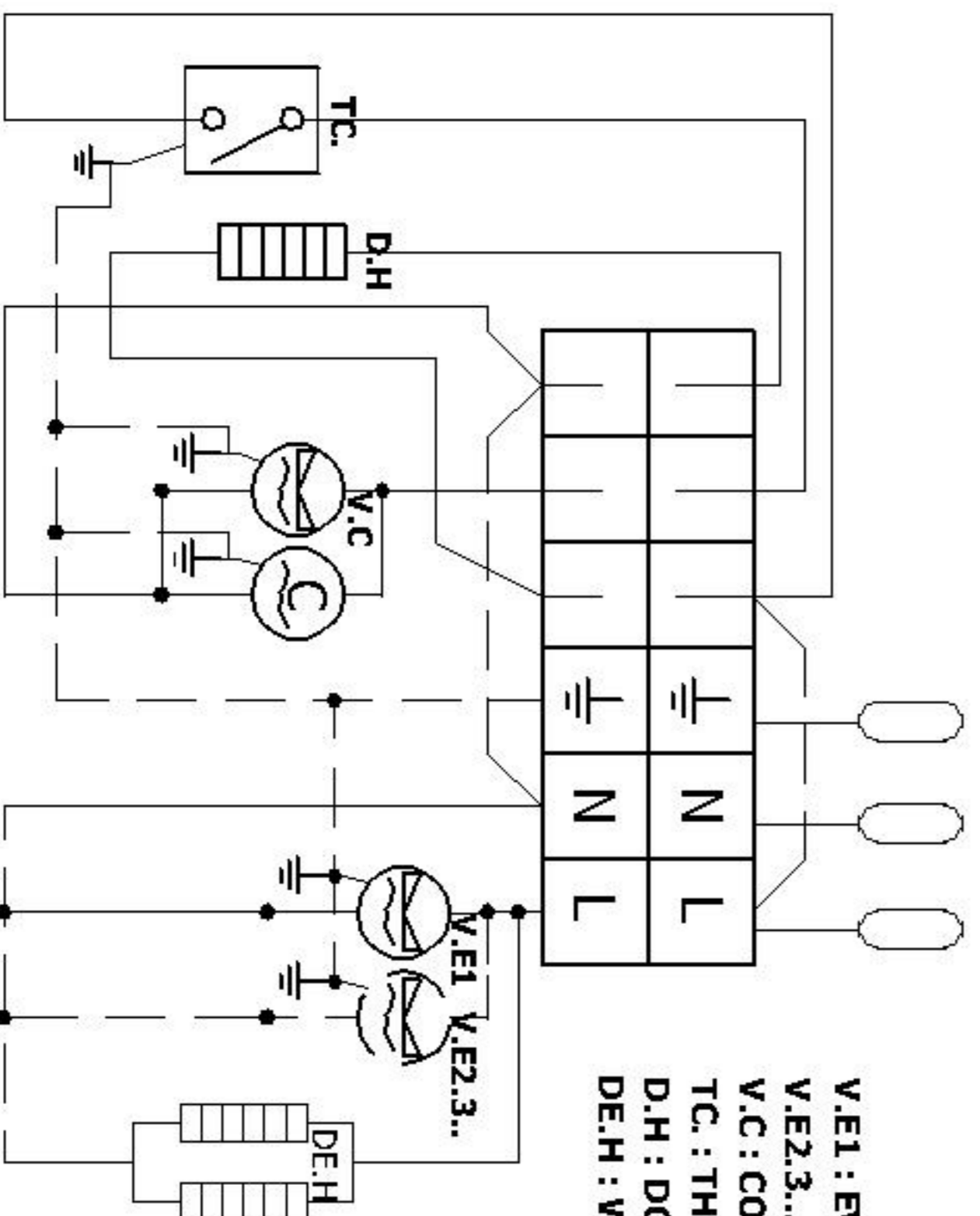


V.E1 : EVAPORATOR FAN MOTOR1
V.E2.3... : EVAPORATOR FAN MOTOR2.3...
V.C : COMPRESSOR CONDENSER FAN MOTOR
TC : THERMOSTAT
D.H : DOORFRAME HEATER
D.E.H : WATER TRAY HEATER & DEFROST HEATER

C:\FD\Diagram (Wiring) *#U12BFF.dwg (C.10.2006)

CIRCUIT DIAGRAM

MODEL: U1BFF-06S
U2BFF-12S



V.E1 : EVAPORATOR FAN MOTOR1
V.E2.3... : EVAPORATOR FAN MOTOR2.3...
V.C : COMPRESSOR CONDENSER FAN MOTOR
TC : THERMOSTAT
D.H : DOORFRAME HEATER
D.E.H : WATER TRAY HEATER & DEFROST HEATER

C:\FD\Diagram (Wiring) *#U12BFF.dwg (C.10.2006)