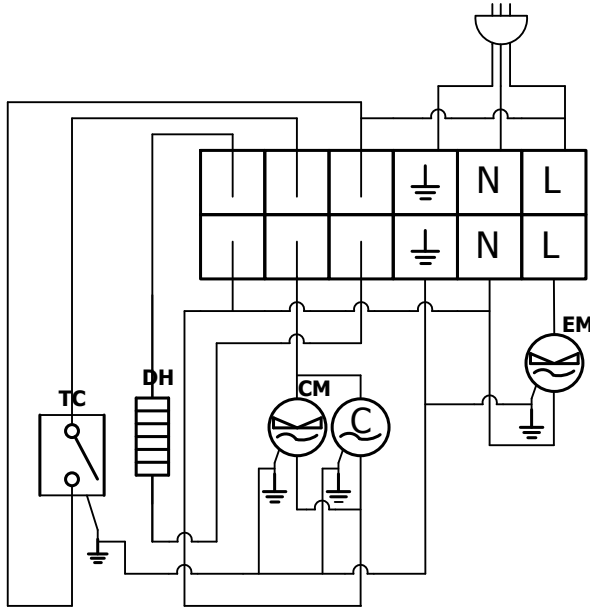


CIRCUIT DIAGRAM

MODEL: S1BRR-06S
JSP-2708

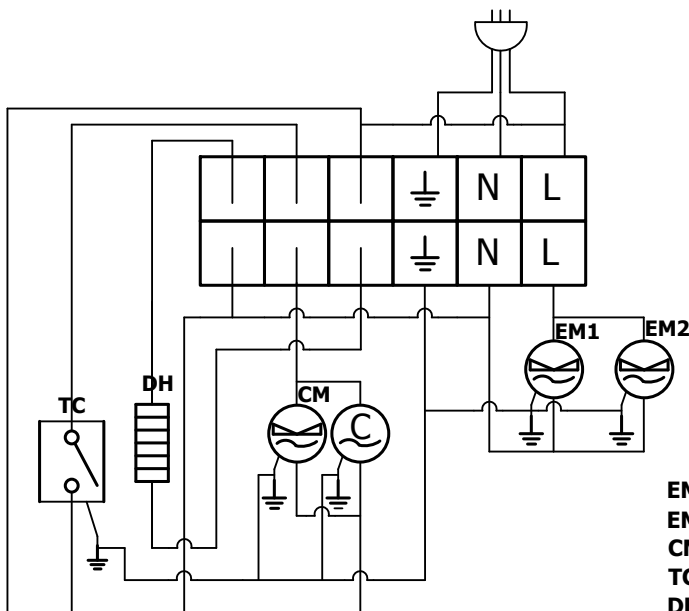


EM : EVAPORATOR FAN MOTOR
CM : COMPRESSOR CONDENSER FAN MOTOR
TC : THERMOSTAT
DH : DOORFRAME HEATER
C : COMPRESSOR

C:\Diagram(Wiring)\S123.dwg (C 10,2008)

CIRCUIT DIAGRAM

MODEL: M1P-2712
JMP-2712
S2BRR-12S
JSP-4818
P1SRR-08S
JPP-5008
P2SRR-16S
JPP-7109
P3SRR-24S
JPP-9212



EM1 : EVAPORATOR FAN MOTOR
EM2 : EVAPORATOR FAN MOTOR
CM : COMPRESSOR CONDENSER FAN MOTOR
TC : THERMOSTAT
DH : DOORFRAME HEATER
C : COMPRESSOR

C:\Diagram(Wiring)\S123.dwg (C 10,2008)