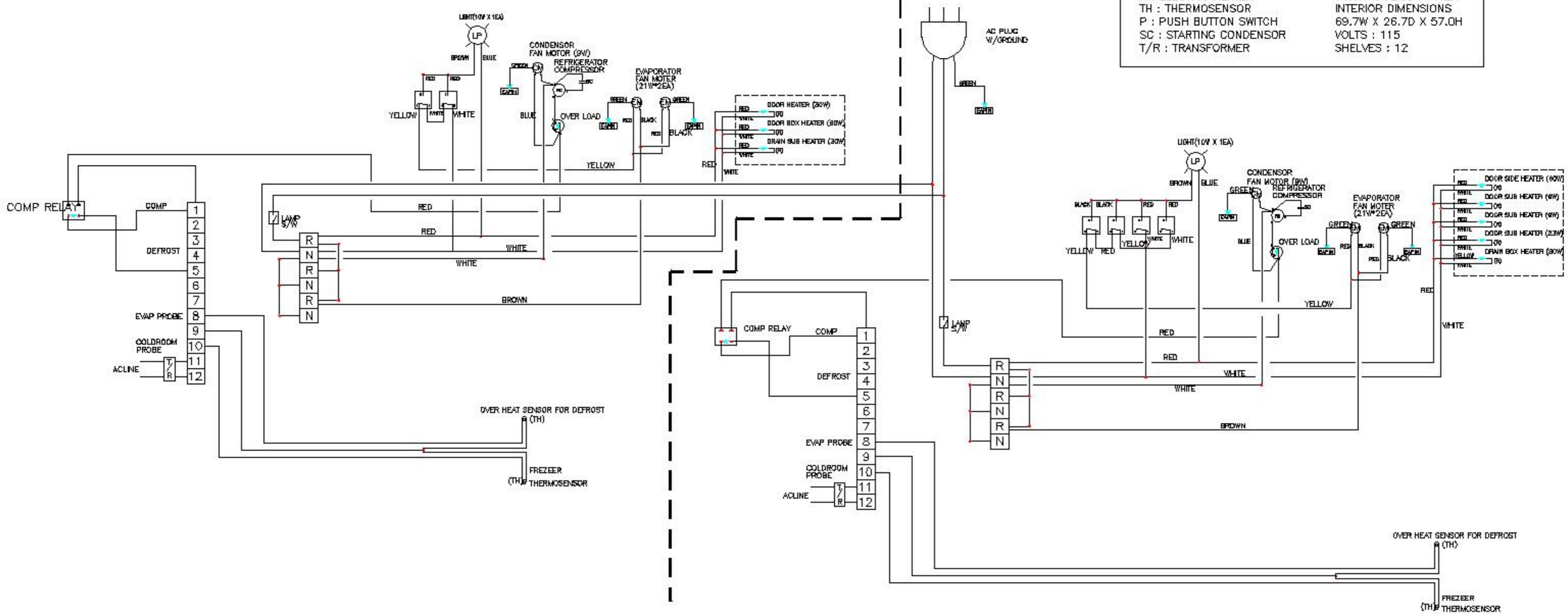


LEGEND

LP : LIGHT LAMP	WEIGHT : 525
L : SIGNAL LAMP(LED)	EXTERIOR : STAINLESS
RC : REFRIGERATOR COMPRESSOR	INTERIOR : STAINLESS
CM : CONDENSER FAN MOTOR	CU. FT : 61
EM : EVAPORATOR FAN MOTOR	EXTERIOR DIMENSIONS
H : ELECTRIC HEATER	74.8W X 32.5D X 76.2H
TH : THERMOSENSOR	INTERIOR DIMENSIONS
P : PUSH BUTTON SWITCH	69.7W X 26.7D X 57.0H
SC : STARTING CONDENSOR	VOLTS : 115
T/R : TRANSFORMER	SHELVES : 12



CONTROL WIRING DIAGRAM (J6SRR-61B)
AC 115V X 60Hz X 1Ph