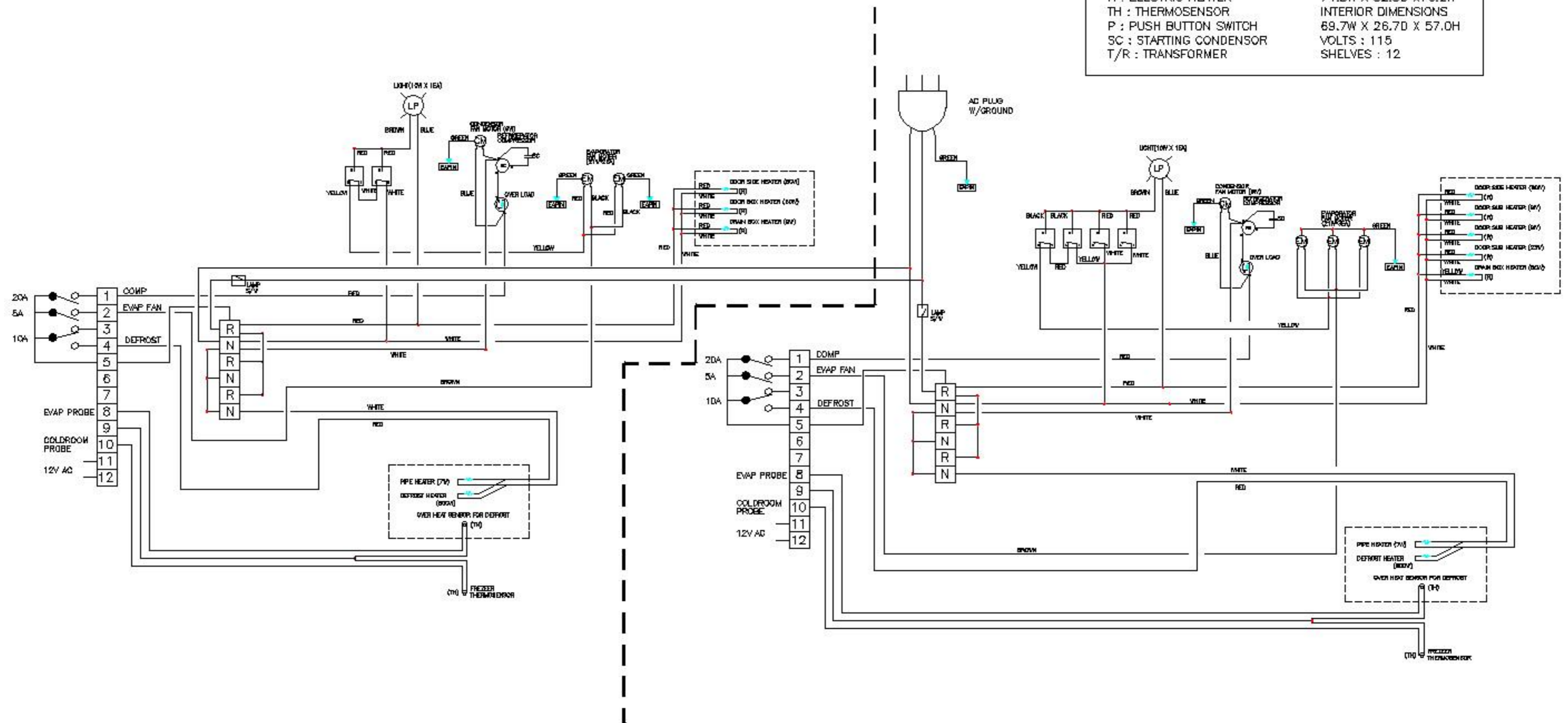


LEGEND
 LP : LIGHT LAMP
 L : SIGNAL LAMP(LED)
 RC : REFRIGERATOR COMPRESSOR
 CM : CONDENSER FAN MOTER
 EM : EVAPORATOR FAN MOTOR
 H : ELECTRIC HEATER
 TH : THERMOSENSOR
 P : PUSH BUTTON SWITCH
 SC : STARTING CONDENSOR
 T/R : TRANSFORMER

WEIGHT : 525
 EXTERIOR : STAINLESS
 INTERIOR : STAINLESS
 CU. FT : 81
 EXTERIOR DIMENSIONS
 74.8W X 32.5D X 76.2H
 INTERIOR DIMENSIONS
 69.7W X 26.7D X 57.0H
 VOLTS : 115
 SHELVES : 12



CONTROL WIRING DIAGRAM (J6SFF-61B)

AC 115V X 60Hz X 1Ph