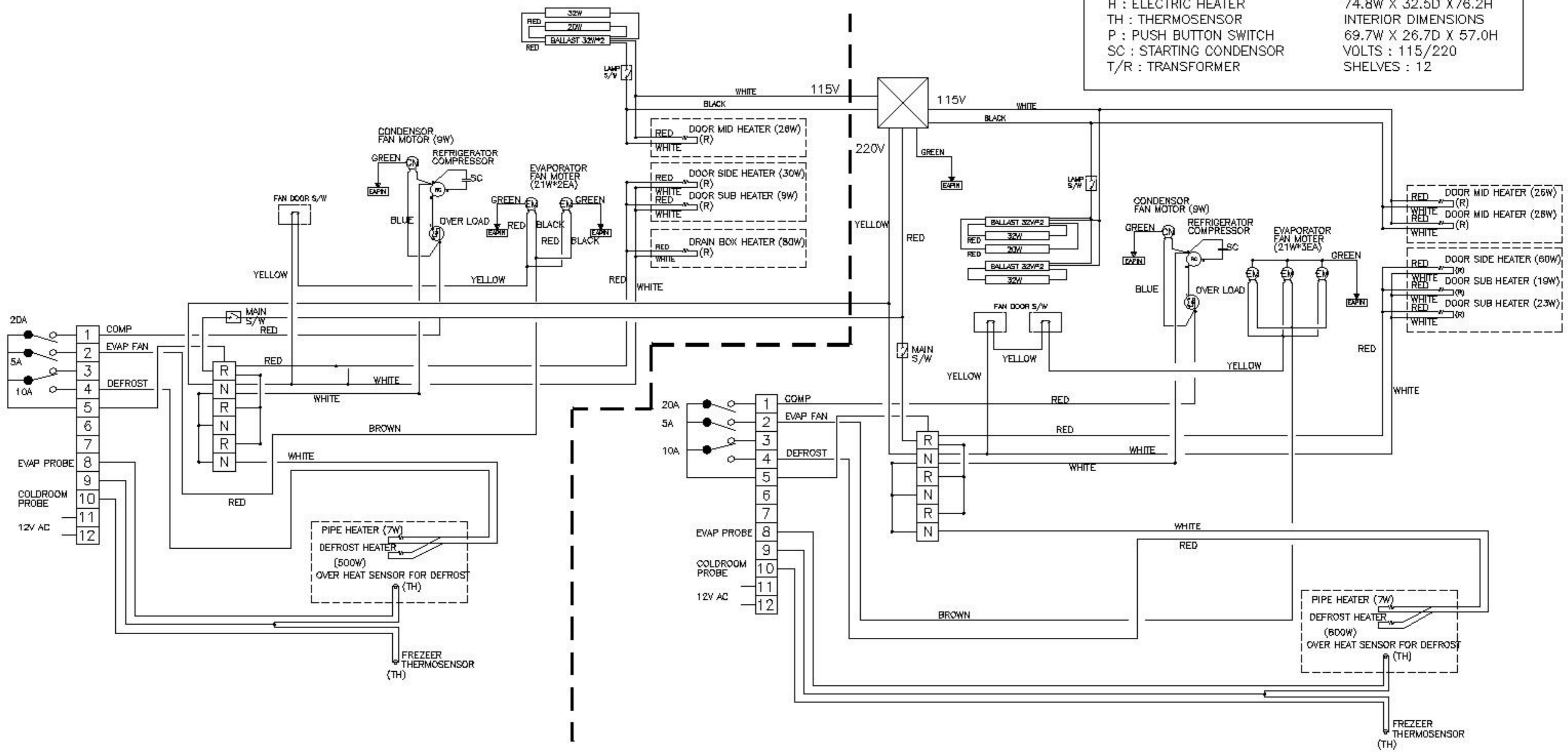


**LEGEND**

LP : LIGHT LAMP  
 L : SOGNAL LAMP(LED)  
 RC : REFRIGRATOR COMPRESSOR  
 CM :CONDENSER FAN MOTER  
 EM : EVAPORATOR FAN MOTOR  
 H : ELECTRIC HEATER  
 TH : THERMOSENSOR  
 P : PUSH BUTTON SWITCH  
 SC : STARTING CONDENSOR  
 T/R : TRANSFORMER

WEIGHT : 525  
 EXTERIOR : STAINLESS  
 INTERIOR : STAINLESS  
 CU. FT : 61  
 EXTERIOR DIMENSIONS  
 74.8W X 32.5D X76.2H  
 INTERIOR DIMENSIONS  
 69.7W X 26.7D X 57.0H  
 VOLTS : 115/220  
 SHELVES : 12



CONTROL WIRING DIAGRAM(J3GF-61S)  
 AC 115/220V X 60Hz X 1Ph