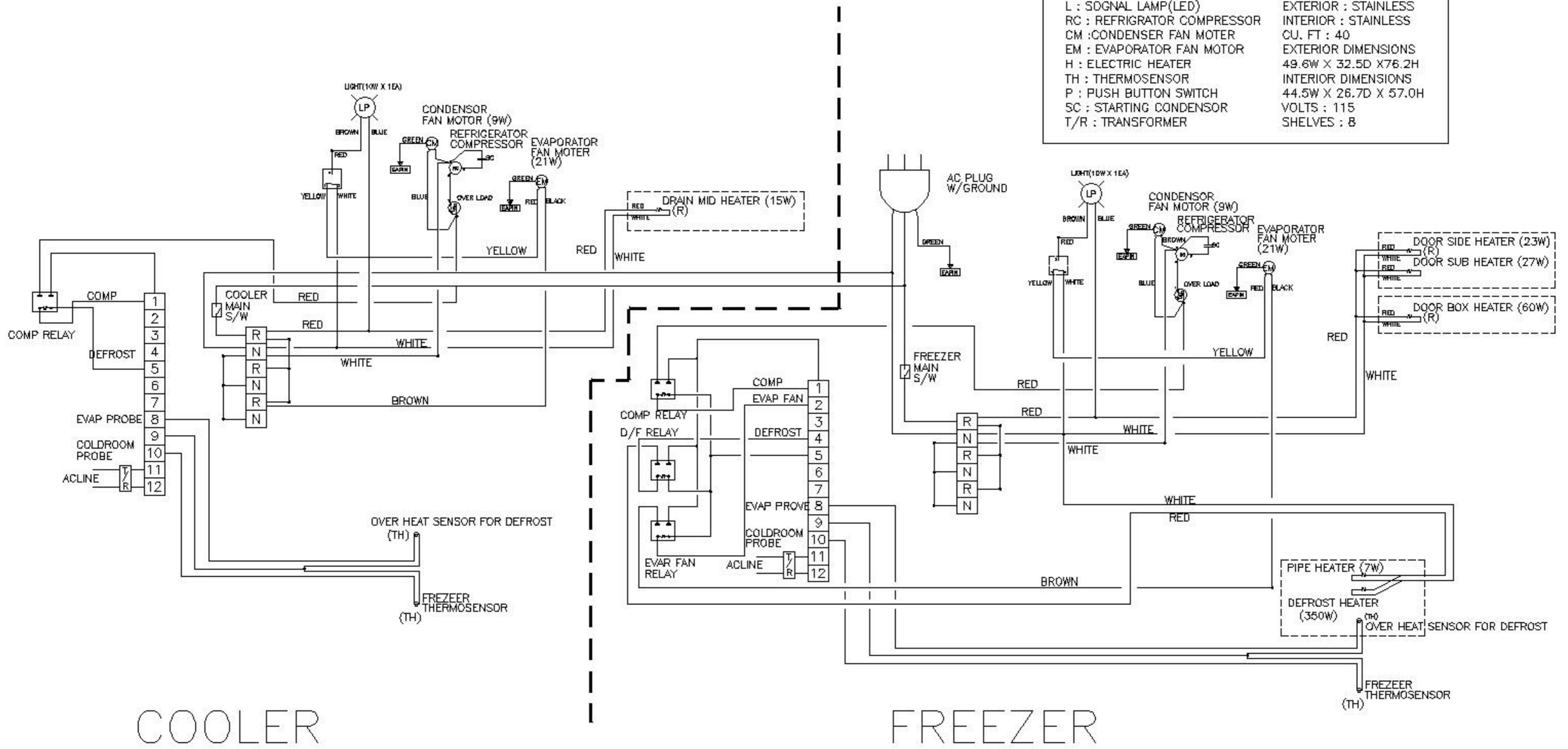


LEGEND	
LP : LIGHT LAMP	WEIGHT : 427
L : SIGNAL LAMP(LED)	EXTERIOR : STAINLESS
RC : REFRIGERATOR COMPRESSOR	INTERIOR : STAINLESS
CM : CONDENSER FAN MOTOR	CU. FT : 40
EM : EVAPORATOR FAN MOTOR	EXTERIOR DIMENSIONS
H : ELECTRIC HEATER	49.6W X 32.5D X 76.2H
TH : THERMOSENSOR	INTERIOR DIMENSIONS
P : PUSH BUTTON SWITCH	44.5W X 26.7D X 57.0H
SC : STARTING CONDENSOR	VOLTS : 115
T/R : TRANSFORMER	SHELVES : 8



CONTROL WIRING DIAGRAM(J2SRF-20B)
AC 115V X 60Hz X 1Ph