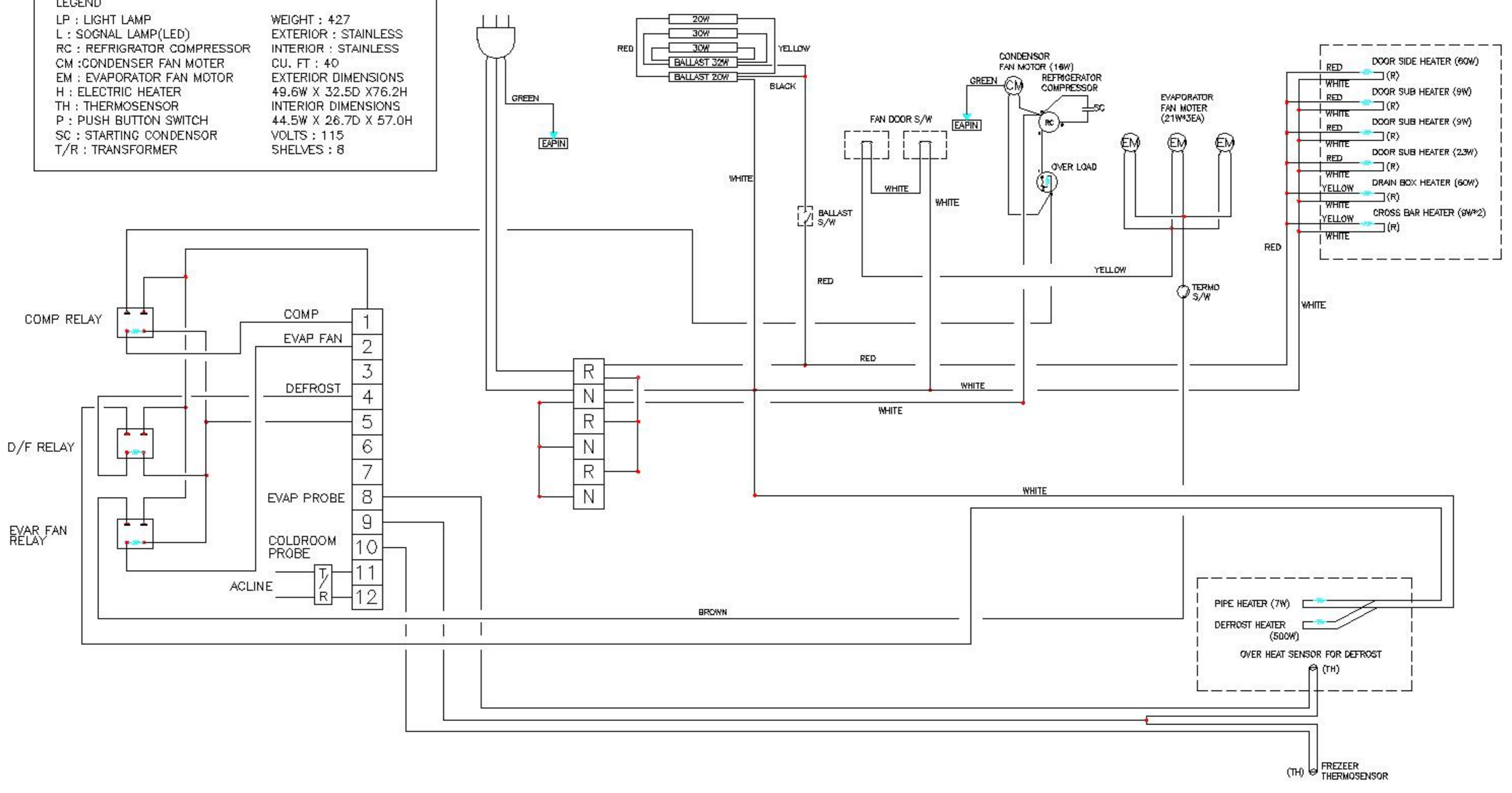


**LEGEND**  
 LP : LIGHT LAMP  
 L : SIGNAL LAMP(LED)  
 RC : REFRIGRATOR COMPRESSOR  
 CM :CONDENSER FAN MOTER  
 EM : EVAPORATOR FAN MOTOR  
 H : ELECTRIC HEATER  
 TH : THERMOSENSOR  
 P : PUSH BUTTON SWITCH  
 SC : STARTING CONDENSOR  
 T/R : TRANSFORMER  
  
 WEIGHT : 427  
 EXTERIOR : STAINLESS  
 INTERIOR : STAINLESS  
 CU. FT : 40  
 EXTERIOR DIMENSIONS  
 49.6W X 32.5D X76.2H  
 INTERIOR DIMENSIONS  
 44.5W X 26.7D X 57.0H  
 VOLTS : 115  
 SHELVES : 8



# CONTROL WIRING DIAGRAM(J2GF-40S)

AC 115V X 60Hz X 1Ph