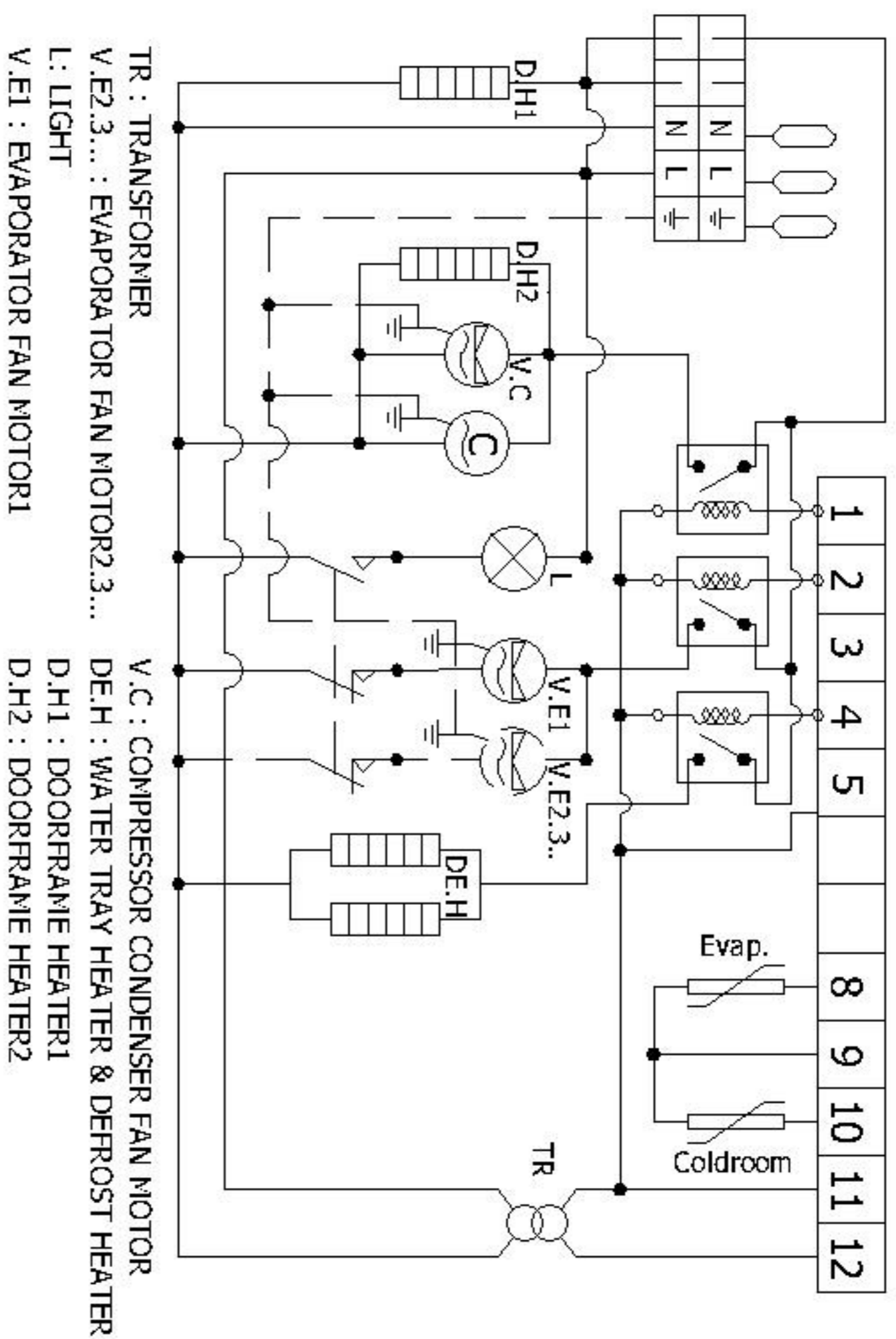


CIRCUIT DIAGRAM

MODEL: CFD-FF/2FF/3FF

SF-104
DIGITAL TEMPERATURE CONTROLLER



TR : TRANSFORMER
V.E2,3... : EVAPORATOR FAN MOTOR2,3...
L : LIGHT
V.E1 : EVAPORATOR FAN MOTOR1

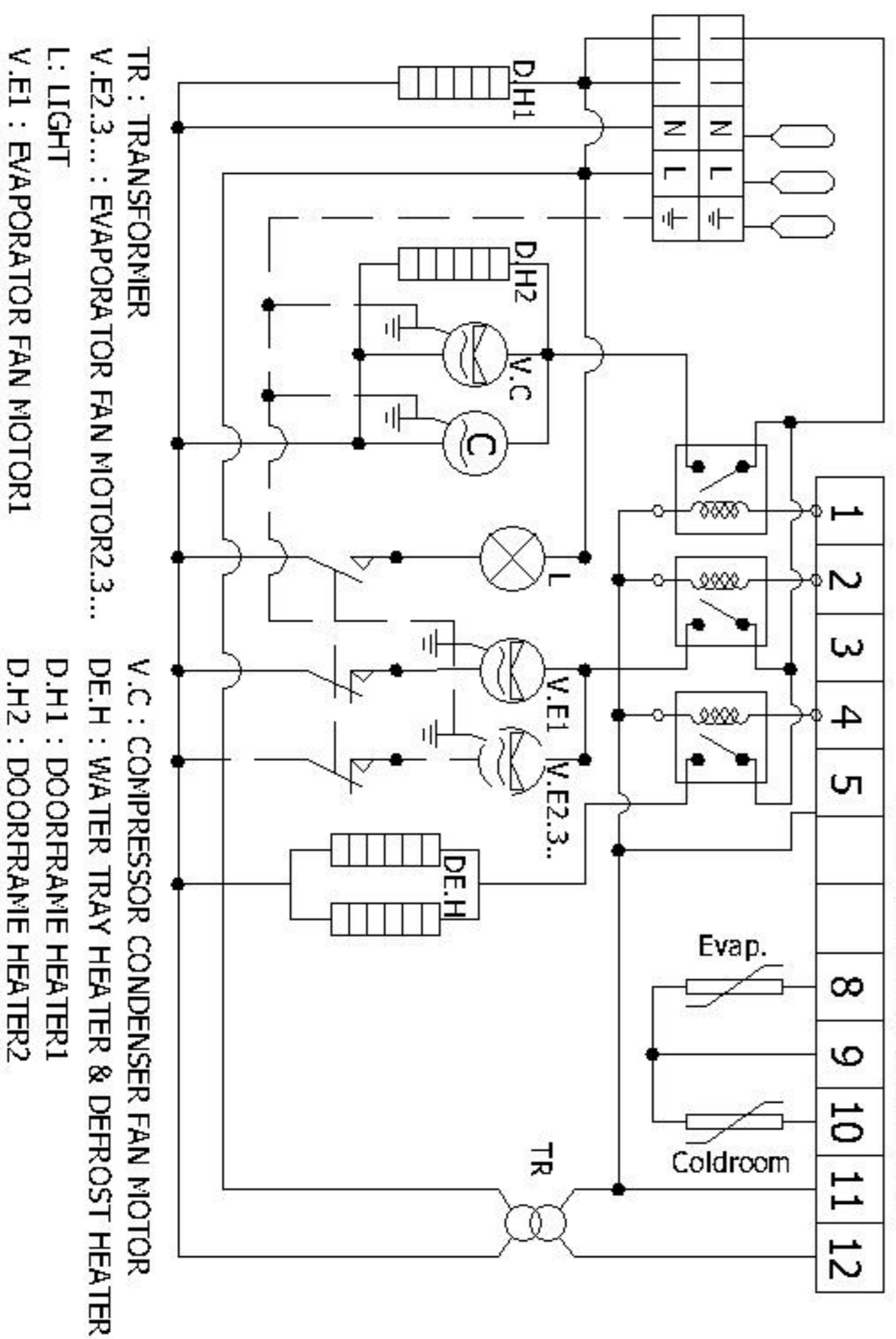
V.C : COMPRESSOR CONDENSER FAN MOTOR
DE.H : WATER TRAY HEATER & DEFROST HEATER
D.H1 : DOORFRAME HEATER1
D.H2 : DOORFRAME HEATER2

C:*Diagram (Wiring) *CFD-xFF.dwg (C.10.2006)

CIRCUIT DIAGRAM

MODEL: CFD-FF/2FF/3FF

SF-104
DIGITAL TEMPERATURE CONTROLLER



TR : TRANSFORMER
V.E2,3... : EVAPORATOR FAN MOTOR2,3...
L : LIGHT
V.E1 : EVAPORATOR FAN MOTOR1

V.C : COMPRESSOR CONDENSER FAN MOTOR
DE.H : WATER TRAY HEATER & DEFROST HEATER
D.H1 : DOORFRAME HEATER1
D.H2 : DOORFRAME HEATER2

C:*Diagram (Wiring) *CFD-xFF.dwg (C.10.2006)