



1575 Zephyr Avenue
 Hayward, CA 94544
 Phone: (510) 477-3400
 Fax: (510) 477-3412
 www.ascendmfg.com
 info@ascendmfg.com

© 2011 ASCEND is a registered trademark of Jimex Corporation

Date Modified 1/11/2012

ALB-80R Four Drawer Chef Base Refrigerator

9 cu. ft.

PROJECT _____

QTY. ____ ITEM NO. _____



Standard Features

- **2 Year Parts & Labor Warranty & 5 Year Compressor Warranty**
- Exterior digital temperature control with adjustable temperature variance, automatic defrost intervals, setpoint limits, and parameter locking functions
- Self-Contained Side Mounted Refrigeration System
- 2.5" Thick Foamed-in-place Polyurethane Insulation
- Assembled in USA
- **Stainless Steel Interior & Exterior**
- **Fully-Recessed Drawer Handles**
- Stainless Steel Worktop
- CFC-free R-134a Refrigerant
- Evaporative Hot Gas Condensate Pan
- 4 Stainless Steel Drawers
- 5" casters included for easy mobility and installation.
- Front breathing for increased efficiency
 - Holds 34° F to 41° F for refrigerator
- 250lb weight capacity per drawer

Materials

- **INTERIOR:**
 Stainless steel interior walls, floor and ceiling
 Stainless steel drawers
- **EXTERIOR:**
 Stainless work top, stainless steel box

GENERAL INFORMATION

Dimensions (inches): 79.5" (W) x 31.0" (D) x 22.5" (H)

Drawers: 4

Unit Weight (lbs): 410

Drawer Lengths (inches): 41.75",

Ship Weight (lbs): 445

Cubic Ft.: 9

Drawer Depth (inches): 21.75"

Cord Length (inches): 82

TECHNICAL DATA

Refrigerant: R-134A

Horsepower: 1/2

Start Amps: 10.6

Volts: 115

Run Amps: 8.0

No. of Compressors: 1

ALB-80R Four Drawer Chef Base Refrigerator

9 cu. ft.



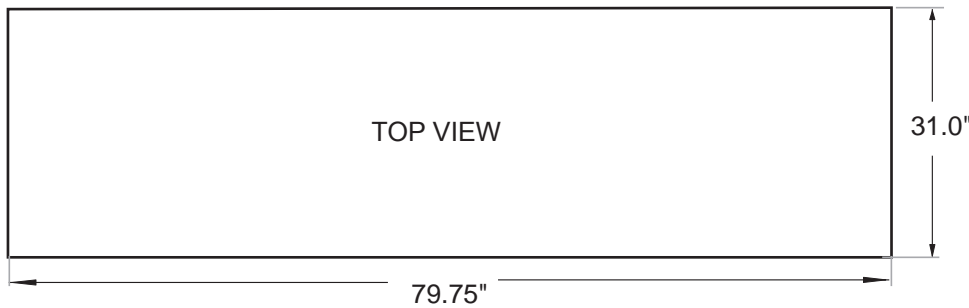
REACHING NEW HEIGHTS

1575 Zephyr Avenue
Hayward, CA 94544
Phone: (510) 477-3400
Fax: (510) 477-3412
www.ascendmfg.com
info@ascendmfg.com

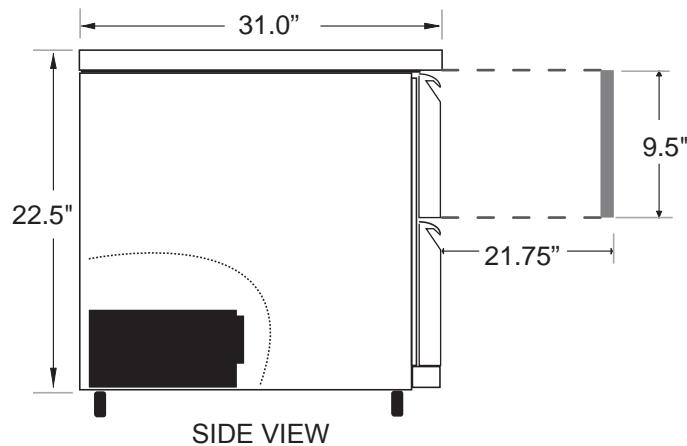
© 2011 ASCEND is a registered trademark of Jimex Corporation

- 2 Year Parts & Labor Warranty
- 5 Year Compressor Warranty
- Assembled in the USA

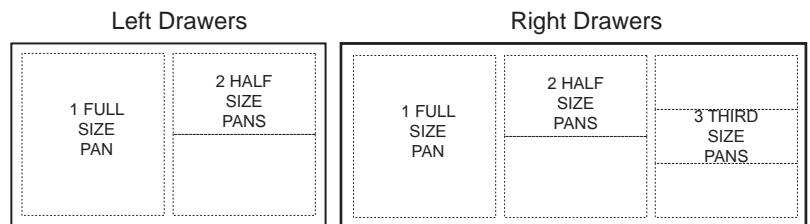
DIMENSIONAL INFORMATION



NEMA 5-15P plug
5-15R receptacle
required



PAN CONFIGURATION



Each section inside each drawer fits 1 full size 12"x20" pan or 2 half size 12"x10" pans. Can also fit 3 third size pans in place of 1 full size pan. Maximum depth of 6" inches per pan. (Pans are not included)

